

Series

**XC77**

- ATEX II 2G Ex d IIC T6 Gb, II 2D Ex tb IIIC T85°C Db certification
- Suitable for ATEX zones 1, 2, 21 and 22
- Compact & robust construction with axial/radial cable outlet
- Ø 14 mm hollow shaft
- Resolution up to 10000 PPR



XC77

### ENVIRONMENTAL SPECIFICATIONS

Certification:	II 2G Ex d IIC T6 Gb, II 2D Ex tb IIIC T85°C Db
Shock:	250 g, 6 ms acc. to CEI EN 60068-2-27
Vibrations:	10 g, 5-2000 Hz acc. to CEI EN 60068-2-6
Protection:	IP65
Environmental temperature max.:	40°C max
Operating temperature range:	-20°C +40°C (-4°F +104°F)
Storage temperature range:	-20°C +85°C (-4°F +185°F) (98% R.H. without condensation)

### MECHANICAL SPECIFICATIONS

Dimensions:	see drawing
Hollow shaft diameter:	Ø 14 mm
Shaft loading (axial, radial):	60 N max.
Shaft rotational speed:	6000 rpm max.
Starting torque (at 20°C):	≤ 5 Ncm
Bearings life:	400 x 10 <sup>6</sup> rev. min. (10 <sup>9</sup> rev. min. with 20 N shaft loading max.)
Electrical connections:	cable output 3 m (9.8 ft)
Weight:	~ 750 g (26,4 oz)
Option:	• additional cable

### ELECTRICAL SPECIFICATIONS

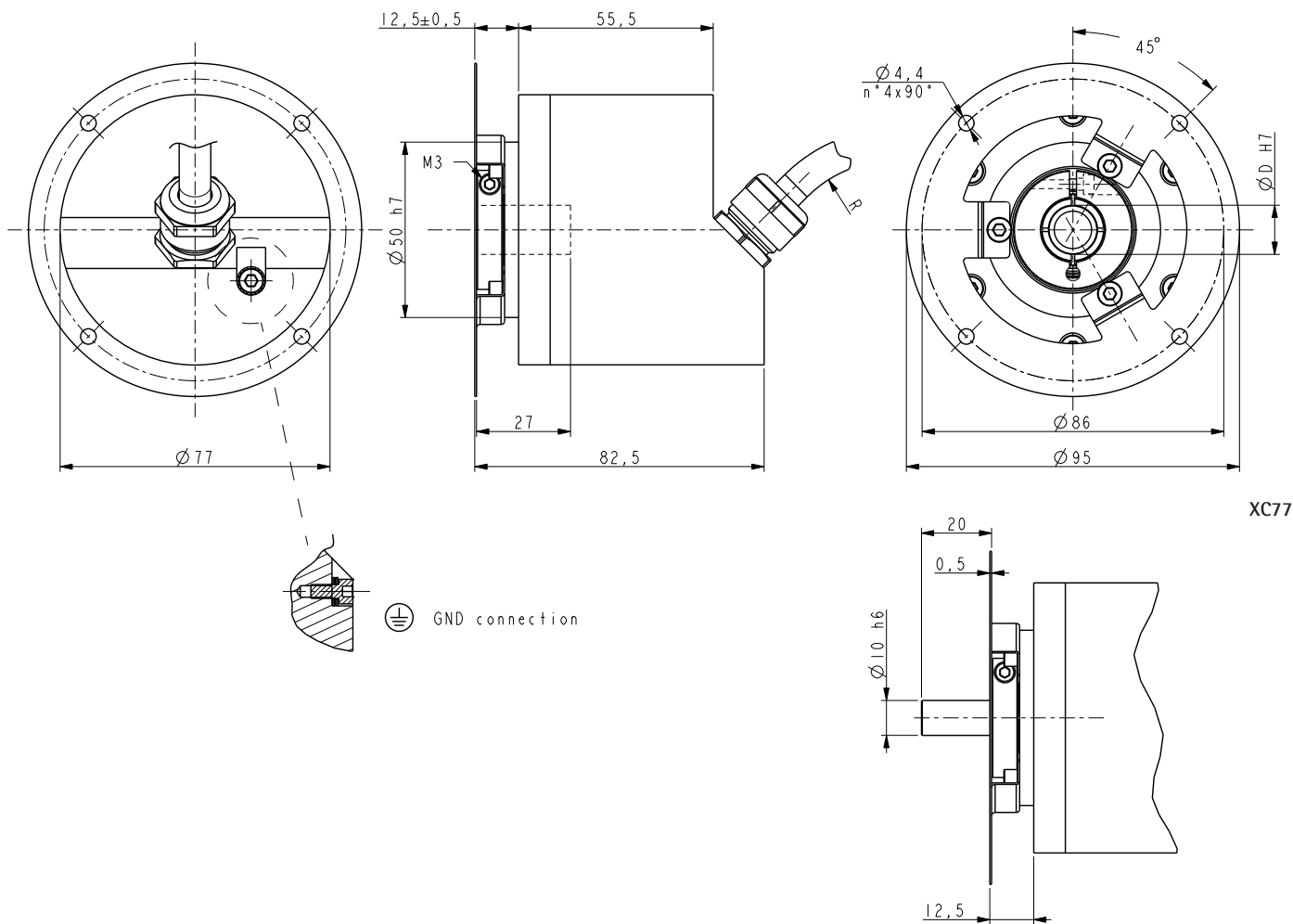
Standard resolution with magnetic sensing (PPR): <i>(output circuits N, P, Y, L, H)</i>	2-4-5-6-8-10-12-15-16-20-24-25-30-35-36-40-50-60-64-70 80-90-120-125-127-142-150-160-180-216-230-236-240-254 267-270-314-360-375-410-435-471-635-800-1068-1270 1400-2250 (other on request)
Standard resolution with unbreakable disk (PPR): <i>(output circuits N, P, Y, L, H)</i>	100-200-250-256-300-400-500-512-600-720-750-900-1000 1024-1200-1250-1440-1500-1800-2000-2048-2500-3000 3600-4000-4096-5000
High accuracy glass disk (PPR): <i>(output circuits N, P, Y, L, H)</i>	5K=5000, 6K=6000, 9K=9000, 10K=10000 4KB=4096, 8KB=8192
Counting frequency:	300 kHz max.
Output circuits:	NPN, Push-Pull, Line Driver, Universal circuit
Power supply:	+5V±5%, +10V +30V,+5V +30V
Consumption:	70 mA (typical)
Output current (each channel):	40 mA max.
Protection:	against inversion of polarity and short-circuit
EMC:	electro-magnetic immunity, according to: EN 61000-4-2 EN 61000-4-4
Option:	• Line Driver 24/5V

### MATERIALS

Flange:	anticorodal, UNI EN AW-6082 (UNI EN 573)
Housing:	anticorodal, UNI EN AW-6082 (UNI EN 573)
Bearings:	ABEC 5
Shaft and clamping ring:	1.4305 (UNI EN 10088-1)

### ACCESSORIES

LKM-1758:	Ø 10 mm shaft extension
-----------	-------------------------



XC77

XC77 with LKM-1758 shaft extension

Order code

XC77	-	XX (a)	-	XXXXX (b)	-	XXX (c)	-	XX (d)	-	X (e)	X (f)	-	X (g)	XXXX (h)	/Sxxx (i)
------	---	-----------	---	--------------	---	------------	---	-----------	---	----------	----------	---	----------	-------------	--------------

<p><b>(a) OUTPUT CIRCUITS / POWER SUPPLY</b>                  N2 = NPN o.c., +10Vdc ÷ +30Vdc                  Y2 = Push Pull, +10Vdc ÷ +30Vdc                  L1 = Line Driver (RS422), +5Vdc ±5%                  H4 = PP/LD universal circuit, +5Vdc ÷ +30Vdc                  L2 = Line Driver (RS422), +10V ÷ +30V</p> <p><b>(b) RESOLUTION (PPR)</b>                  See electrical specifications</p>	<p><b>(c) OUTPUT SIGNALS / CONNECTION</b>                  ZCU = ABO /ABO, cable output</p> <p><b>(d) SHAFT DIAMETER</b>                  14 = 14 mm</p> <p><b>(e) PROTECTION</b>                  P = IP65</p> <p><b>(f) OPERATING TEMPERATURE</b>                  X = -20°C +40°C (-4°F +104°F)</p>	<p><b>(g) CONNECTION POSITION</b>                  A = axial</p> <p><b>(h) CABLE LENGTH</b>                  L030 = cable output 3 m                  L050 = cable output 5 m                  L070 = cable output 7 m                  Lxx0 = cable output x m (max. length 10 m)</p> <p><b>(i) CUSTOM VERSION</b></p>
---	--	---

Document release	Date	Description
1.0	November 2023	New order code