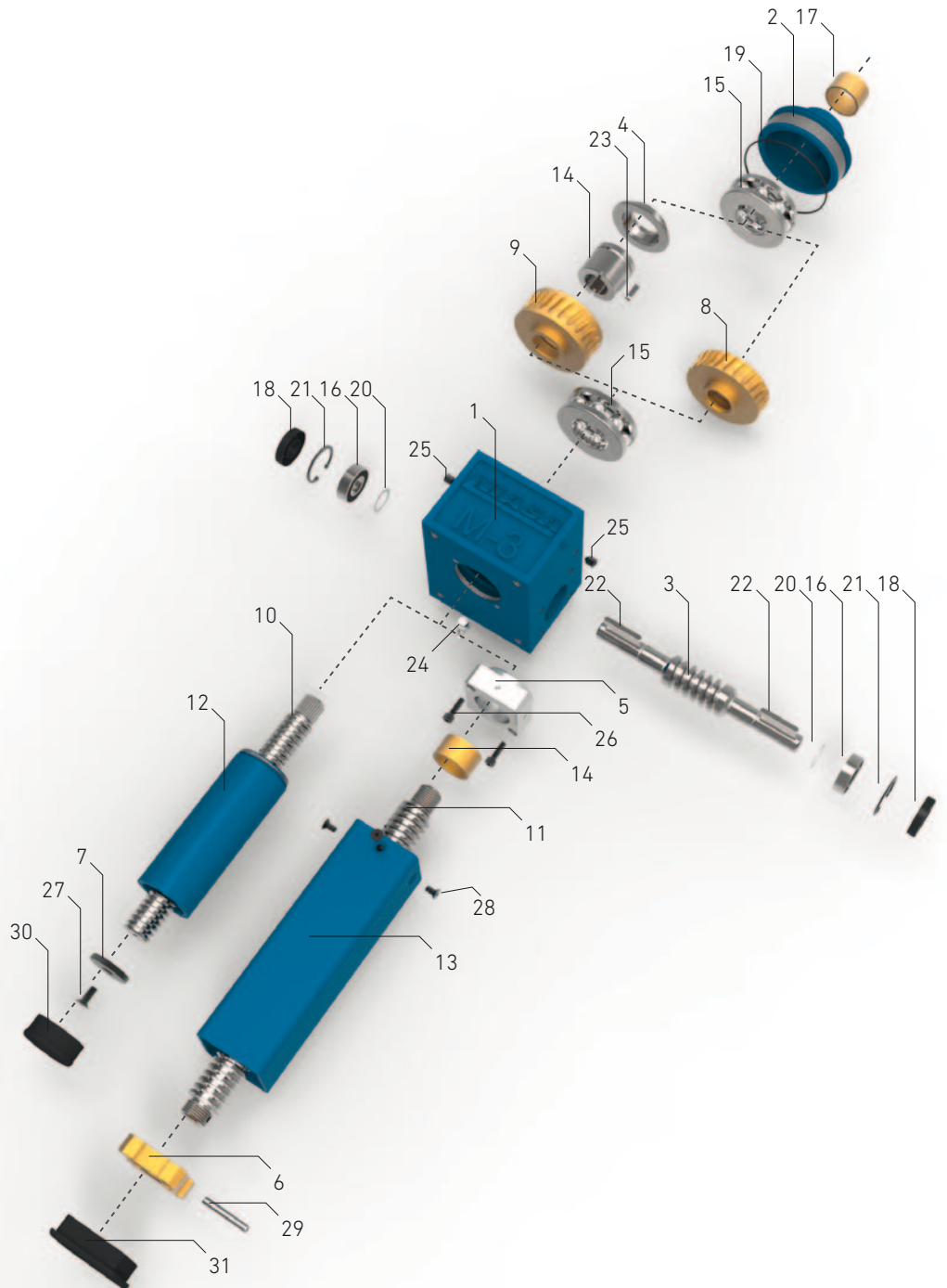


SCREW JACKS

N / W CONFIGURATION DISASSEMBLED

	Name
01	M series box
02	Top cap
03	Worm gear
04	Ball worm shaft and wheel cover
05	Square tube support
06	Anti-turn buffer
07	N screw buffer washer
08	Trapezoidal worm shaft and wheel
09	Ball worm shaft and wheel
10	N screw
11	W screw
12	N round tube
13	W square tube
14	Ball nut
15	Axial bearing
16	Radial bearing
17	Anti-friction bushing
18	Seal
19	O-Ring
20	Adjustment washer
21	Inside circlip
22	Straight key
23	Straight key
24	Angled grease nipple
25	Stud with point
26	Allen screw
27	Allen screw
28	Allen screw
29	Elastic stud
30	N tube cap
31	W tube cap



SCREW JACKS

R CONFIGURATION DISASSEMBLED

	Name
01	M series box
02	Top cap
03	Worm gear
04	Rear cap
05	Screw nut
06	Screw locknut
07	Worm wheel
08	Trapezoidal screw
09	Trapezoidal nut
10	Ball screw
11	Ball nut
12	Axial bearing
13	Radial bearing
14	Anti-friction bushing
15	Seal
16	O-Ring
17	Adjustment washer
18	Inside circlip
19	Straight key
20	Angled grease nipple
21	Stud with point
22	Allen screw
23	Straight key

