

SGH50

Redundant Absolute Wire-Actuated Encoder with CANopen Interface

User Manual

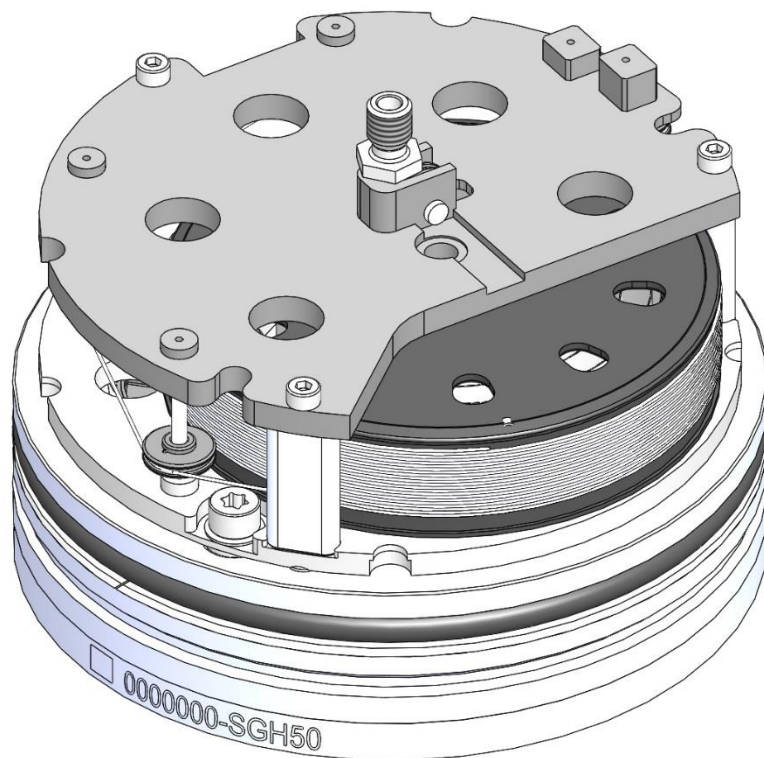


Table of Contents

1	General Information	5
1.1	Documentation	5
1.2	Definitions	5
2	Intended use	5
2.1	Block wiring diagram	6
2.2	Switching on the supply voltage Switching on the supply voltage.....	6
2.3	Device Identification	6
3	Operation description	7
3.1	Counting direction.....	7
3.2	Calibration	7
3.3	Restore factory setting	7
4	Communication via CAN bus (CANopen and CANopen Safety)	7
4.1	Telegram structure.....	8
4.2	Node control.....	9
4.2.1	Network Management Services (NMT)	9
4.2.1.1	NMT Communication States	10
4.2.1.2	Switching between the NMT communication states	11
4.2.2	Boot-Up.....	11
4.2.3	SYNC Object	11
4.3	Process Data Exchange	11
4.3.1	Transmission of Process Data Objects (PDO)	11
4.3.1.1	Transmit PDO (from the SGH50 to the master)	12
4.4	Parameter Data Exchange	13
4.4.1	Transmission of Service Data Objects (SDO).....	13
4.4.1.1	Accelerated request and confirmation procedure	13
4.4.1.2	Normal Request and Confirmation Procedure.....	14
4.4.1.3	Error response in SDO exchange	15
4.4.1.4	SDO Examples	16
4.5	Safety data exchange	18
4.5.1	Transmission of safety-relevant data objects (SRDO)	18
4.5.2	Transmission of Service Data Objects (SDO) of the Safety Parameters.....	18
4.5.3	Procedure for the first commissioning of SRDO messages	19
4.5.4	Example for calculating a checksum	19
4.5.5	Example of changing a configuration	20
4.6	Node monitoring	20
4.6.1	Emergency service (EMCY)	20
4.6.2	Node Guarding.....	21
4.6.3	Heartbeat	22
4.7	Layer Setting Service (LSS)	22
4.7.1	State Change.....	23
4.7.1.1	Switch states of all LSS Devices (Switch state global)	23

4.7.1.2	Switch states of individual devices (Switch state global)	24
4.7.2	Configuration	25
4.7.2.1	Node ID Setting (Configure Node ID).....	25
4.7.2.2	Configuration of the baud rate (Configure bit timing parameters).....	25
4.7.2.3	Activate Baud Rate (Activate bit timing parameters)	27
4.7.2.4	Store configuration.....	27
4.7.3	Request parameters	28
4.7.3.1	Request vendor ID	28
4.7.3.2	Request product code.....	28
4.7.3.3	Request revision number.....	28
4.7.3.4	Request serial number	29
4.7.3.5	Request Node ID.....	29
4.8	Table of Objects	29
4.8.1	Object Overview.....	29
4.8.2	Object Description.....	32
4.8.2.1	1000h Device Type.....	32
4.8.2.2	1001h: Error Register	33
4.8.2.3	1002h: Manufacturer Status Register	33
4.8.2.4	1003h: Pre-defined Error Field	33
4.8.2.5	1005h: COB-ID SYNC Message	34
4.8.2.6	1008h: Manufacturer Device Name	34
4.8.2.7	1009h: Manufacturer Hardware Version	35
4.8.2.8	100Ah: Manufacturer Software Version.....	35
4.8.2.9	100Ch: Guard Time.....	35
4.8.2.10	100Dh: Life Time Factor.....	36
4.8.2.11	1010h: Store Parameter	36
4.8.2.12	1011h: Restore Parameter	38
4.8.2.13	1014h COB ID emergency message	40
4.8.2.14	1017h: Producer Heartbeat Time	40
4.8.2.15	1018h: Identity Object	40
4.8.2.16	1200h: Server SDO Parameter	41
4.8.2.17	1301h: SRD01 Communication Parameter	42
4.8.2.18	1302h: SRD02 Communication Parameter	44
4.8.2.19	1381h: SRD01 mapping parameters	46
4.8.2.20	1382h: SRD02 mapping parameters	46
4.8.2.21	13FEh: Safety Configuration	47
4.8.2.22	13FFh: Safety configuration signature (checksum).....	47
4.8.2.23	1800h 1. Transmit PDO Parameter	49
4.8.2.24	1801h: 2. Transmit PDO Parameter	50
4.8.2.25	1A00h: 1. Transmit PDO Mapping Parameter	52
4.8.2.26	1A01h: 2. Transmit PDO Mapping Parameter	52
4.8.2.27	5000h: Diagnose CAN bus error.....	53
4.8.2.28	5F09h: Bus terminal.....	53
4.8.2.29	5F0Ah: Node ID and baud rate Bus CAN	54

4.8.2.30 6000h: Operating Parameters 55

4.8.2.31 6002h: Total number of measuring steps..... 55

4.8.2.32 6003h: Preset value (calibration value)..... 56

4.8.2.33 6004h: Position value 56

4.8.2.34 6005h: Resolution 56

4.8.2.35 600Ch: Raw value position 56

4.8.2.36 6010h: Preset value (calibration value)) 57

4.8.2.37 6020h: Position value 57

4.8.2.38 6030h: Speed..... 58

4.8.2.39 6031h: Speed parameter 58

4.8.2.40 6100h: Safety configuration parameters of the position 59

4.8.2.41 6101h: Safety configuration parameters of the speed 60

4.8.2.42 6102h: Safety preset value (safety calibration value) 61

4.8.2.43 6126h: Safety speed value 62

4.8.2.44 6127h: Safety inverted speed value 62

4.8.2.45 6128h: Safety position value 63

4.8.2.46 6129h: Safety inverted position value 63

4.8.2.47 61FEh: Safety application configuration..... 64

4.8.2.48 61FFh: Safety application configuration signature (checksum) 64

4.8.2.49 6200h: Cycle Timer 66

4.8.2.50 6400h: Work area (area state register)..... 66

4.8.2.51 6401h: Work Area Low Limit..... 67

4.8.2.52 6402h: Work Area High Limit 68

4.8.2.53 6500h: Operating Status..... 69

4.8.2.54 6501h: Single-turn resolution..... 69

4.8.2.55 6502h: Number of distinguishable revolutions 69

4.8.2.56 6503h: Alarms..... 70

4.8.2.57 6504h: Supported Alarms..... 70

4.8.2.58 6505h: Warnings 71

4.8.2.59 6506h: Supported Warnings 71

4.8.2.60 6507h: Profile and Software Version 71

4.8.2.61 6508h: Operating Time 72

4.8.2.62 6509h: Offset value 72

4.8.2.63 650Ah: Module identification 72

4.8.2.64 650Bh: Serial number..... 73

4.8.2.65 650Ch: Offset value for multi-sensor device..... 73

4.8.2.66 650Eh: Device functionality 74

1 General Information

1.1 Documentation

The following documents are available for this product:

- Data sheet; describes the technical data, the dimensions, the pin assignments, the accessories and the order code.
- Assembly Instructions; describes the mechanical and electrical assembly with all safety-relevant conditions and the associated technical specifications.
- User Manual; for commissioning and integrating the sensor in a field bus system.
- EDS file (electronic data sheet); with the help of this file, the integration and configuration in a CANopen network by means of commercial CANopen configurators is possible.

These documents can also be found at <http://www.siko-global.com/p/sgh50>.

1.2 Definitions

Decimal values are specified as numbers without addition (e.g., 1234) unless they are specified in direct conjunction with binary or hexadecimal values. Then the extension d is used (e.g., 1234d). Binary values are used with b (e.g., 1011b) and hexadecimal values with h (e.g., 280H) following the digits.

2 Intended use

The SGH50 consists of two encoders, which redundantly detect the absolute path information. The wire-actuated encoder can be parameterized and read via the CAN interface using the CANopen protocol. The evaluation and assessment of the data must be carried out in the higher-level control

The wire-actuated encoder SGH50 is designed for redundant position and speed detection. The sensor can be used for applications up to Performance Level D (PLd) in the overall system. For this purpose, a higher-level, safe encoder evaluation device is required because the wire encoder with its internal sensor diagnosis is not able to initiate actions itself such as the initiation of a safe state. There are increased demands on the electrical and mechanical coupling of the wire encoder.

2.1 Block wiring diagram

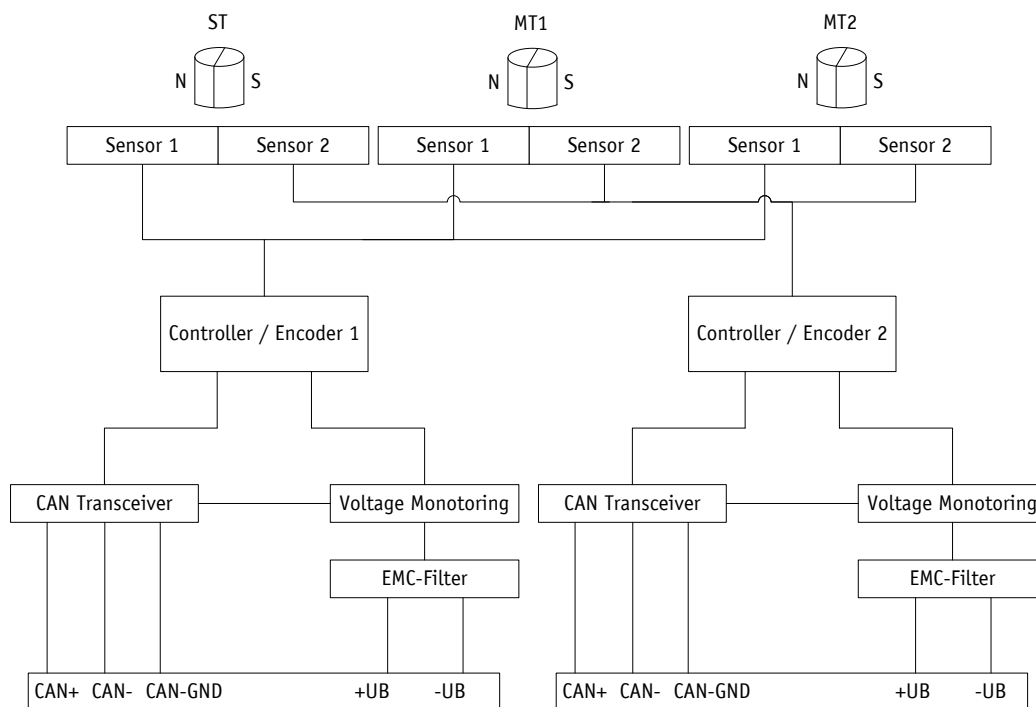


Fig. 1: Block wiring diagram

2.2 Switching on the supply voltage

The SGH50 initializes after it is switched on. The configuration parameters are loaded from the nonvolatile memory into the main memory of the controller.

As long as no changes have been made to the sensor, the sensor works with its default values. If parameters have been changed, the sensor works with the changed data. If these are also to be used after a power off/on, they must be stored.

Upon completion of the initialization procedure, a special NMT command is sent, the boot-up message, to notify the system of its existence. The SGH50 is then in pre-operational mode. In this state, the encoder can be parameterized according to the requirements of the application via SDO commands. This concerns both the configuration parameters of the sensor system and the way in which it makes its position values available to the system (asynchronous or synchronous data transmission).

2.3 Device Identification

To ensure safe operation, the following parameters should be read and verified with a safety encoder before each parameterization and commissioning.

- [1000h Device Type](#)
- [1018h: Identity Object](#) Subindex 01h Vendor ID
- [1018h: Identity Object](#) Subindex 02h Product Code
- [1018h: Identity Object](#) Subindex 03h Revision Number

- [1018h: Identity Object](#) Subindex 04h Serial Number
- [650Eh: Device](#) functionality

3 Operation description

3.1 Counting direction

The encoder supplies increasing position values at wire extraction. This property can be changed via the object [6000h: Operating Parameters](#).

3.2 Calibration

Due to the absolute measuring system, calibration is only required once during commissioning and can be performed at any position. As a result, the Gerber zero point can be adjusted with the mechanical zero point of the system. During calibration, the calibration value is used to calculate the position value. The resulting offset value is output in object [6509h: Offset value](#). In the case of calibration, the following applies:

Position value = 0 + calibration value

3.3 Restore factory setting

To restore the delivery state of the device, the following option exists:

Access	Coding	The following are set to the factory setting	
CANopen (cf. object 1011h: Restore Parameter)	1011h "load"	Subindex 1	All parameters
		Subindex 2	Only bus parameters
		Subindex 3	Only CiA 406 parameters
		Subindex 4	Only manufacturer-specific parameters

Table 1: Access factory settings

4 Communication via CAN bus (CANopen and CANopen Safety)

The basis for the SGH50 is the CANopen communication profile CiA 301 V4.2, the device profile for encoders CiA 406 V4.0.5 as well as the layer setting service (LSS) CiA 305 V3.0.0. The CANopen Safety Protocol EN50325-5 is also implemented for safety-relevant applications.

Safety-relevant and non-safety-relevant applications can be operated on a CAN bus.

The SGH50 supports device class C2. The details necessary for understanding safety-relevant operation are provided in this documentation. If you require more detailed information, we recommend the relevant specialist literature on CAN, CANopen and CANopen Safety.

4.1 Telegram structure

The data telegram of a CAN message consists of the following fields:

SOF	Identifier (COB ID)	Control field	Data field (a maximum of 8 bytes)	CRC	ACK/EOF
-----	---------------------	---------------	-----------------------------------	-----	---------

SOF:

(Start of Frame) Start bit of the telegram

Identifier (COB ID):

- All bus participants use the identifier to check whether the message is relevant to them.
- The identifier sets the priority of the message. The lower the value of the identifier, the higher the priority of the message. As a result, important messages are preferably transmitted via the bus.

The identifier field contains the identifier as well as bits for identifying the length of the identifier (11 or 29 bits). In addition, the identifier defines the device address, the channel selection and the data direction.

Consequently, the 11-bit identifier (COB identifier) is composed of a 4-bit function code and a 7-bit node number:

Bit no.	10	9	8	7	6	5	4	3	2	1	0
Type	Function code				Node number (Node ID)						
Assignment	x	x	x	x	0	0	x	x	x	x	X

The following function codes are defined in the "Pre-Defined Connection Set" (only those function codes that are used in this device are shown):

Object	Function code	Resulting COB ID	Object	Page
Network Management (NMT)	0000b	0	-	9
SYNC message	0001b	128d (80h)	1005h	34
Emergency message	0001b	128d (80h) + Node ID	1014h	40
TPD01	0011b	384d (180h) + Node ID	1800h	42
TPD02	0101b	640d (280h) + Node ID	1801h	50
SDO (tx)	1011b	1408d (580h) + Node ID	1200h	41
SDO (rx)	1100b	1536d (600h) + Node ID	1200h	41
Heartbeat message	1110b	1792d (700h) + Node ID	-	22
Node guard message	1110b	1792d (700h) + Node ID	-	21
LSS (tx)	-	2021d (7E4h)	-	22
LSS (rx)	-	2020d (7E5h)	-	22
SRD01 COB ID1	-	Configure Node ID	1301h	18
SRD01 COB ID2	-	100h + 2*Node ID	1301h	18
SRD02 COB ID1	-	10Fh + 2*Node ID	1302h	18
SRD02 COB D2	-	110h + 2*Node ID	1302h	18

Table 2: Overview of COB Identifiers

Changes to COB IDs are only possible in the PRE-OPERATIONAL NMT state. Via bit 31 = 1b, the COB ID must first be invalidated before it can be changed and reactivated.

An exception is the COB ID of the sync object. Bit 30 = 0b must be set there to change the COB ID. Since bit 30 cannot be set to 1b in the device, the COB ID could be changed at any time.

The node number (Node ID) (cf. Object [5F0Ah: Node ID and baud rate Bus CAN](#)) is assigned once in each bus system from the master to the SGH50 during the configuration. The node numbers are in the range from 1 to 127. Node ID = 0 is reserved and may not be used.

The transfer of a newly set node number takes place only at a renewed initialization (cf. Chapter [4.2.1](#)).

In the case of the cable tension transmitter SGH50, an encoder with the node ID 1 (1h) and the redundant encoder with the node ID 2 (2h) are delivered ex works.

Control field:

Contains bit-by-bit information about the number of user data and decides whether it is a data frame or remote transmission request (RTR) frame.

Data field:

Contains up to 8 bytes of user data. Depending on the channel selection, the user data has different meanings.

CRC:

Contains bits for error detection.

ACK/EOF:

The ACK/EOF field contains telegram confirmation bits as well as bits to identify the telegram end.

The exact description of the telegram can be found in the relevant CAN literature. In the following telegram descriptions, only the identifier (COB ID) and the data field are discussed for the sake of simplicity.

4.2 Node control

4.2.1 Network Management Services (NMT)

The master uses the NMT service to configure, manage and monitor network nodes. The device is always in one of the four communication states: "INITIALIZATION", "PRE-OPERATIONAL", "OPERATIONAL" or "STOPPED" (cf. [Fig. 1](#))

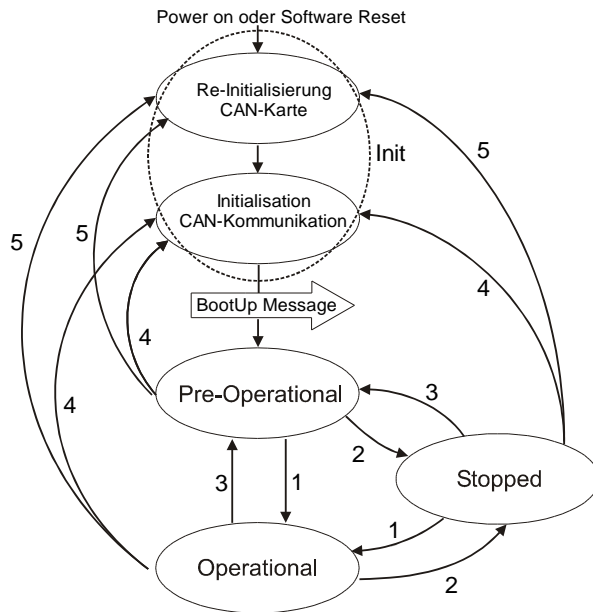


Fig. 1: NMT Status Diagram

4.2.1.1 NMT Communication States

NMT INITIALIZATION State

In this state, the device is not involved in what is happening on the bus. All hardware and software components are initialized. This state is reached after the device is switched on or after receiving the command code 81h ("Reset Node") of its own or the global address. After receiving the command code 82h ("Reset Communication"), the display is also in the initialization state. However, only the hardware and software are reinitialized that are related to the CAN communication. The device automatically signals the completion of the initialization with a boot-up message. As soon as the boot-up message has been sent successfully, the device is in the "PRE-OPERATIONAL" state.

NMT PRE-OPERATIONAL State

Parameterization data (SDO) can be exchanged in Pre-Operational mode. However, no process data (PDO) are transmitted.

NMT OPERATIONAL State

The exchange of process data is also released. COB ID and Transmit PDO Mapping parameters cannot be changed in this state.

NMT STOPPED State

With the exception of Heartbeat and Node Guarding, communication is stopped. Only NMT communication is possible.

4.2.1.2 Switching between the NMT communication states

To switch between the communication states, telegrams with the following structure are used:

State Change		Transition into Fig. 1	COB ID	Command	Node ID
From	To				
PRE-OPERATIONAL/STOPPED	OPERATIONAL	1d	0h	01h	x
OPERATIONAL/PRE-OPERATIONAL	STOPPED	2d	0h	02h	x
OPERATIONAL/STOPPED	PRE-OPERATIONAL	3d	0h	80h	x
OPERATIONAL/ PRE-OPERATIONAL/STOPPED	INITIALIZATION (Reset Node)	5d	0h	81h	x
OPERATIONAL/ PRE-OPERATIONAL/STOPPED	INITIALIZATION (Reset Communication)	4d	0h	82h	x

Table 3: Switching between communication states

If x = 0h is transmitted as Node ID, then the message is intended for all bus subscribers.

4.2.2 Boot-Up

The COB ID of the boot-up message consists of 700h and the Node ID. The NMT state "initialization" is output as data content.

COB ID	Byte 0
700h + Node-ID	00h

Table 4: Boot-up message

4.2.3 SYNC Object

CANopen makes it possible to interrogate inputs and set outputs simultaneously. A synchronization message serves for this (SYNC), which is a high priority CAN message. The identifier of the sync object can be set via the object 1005h (cf. [1005h: COB-ID SYNC Message](#)).

4.3 Process Data Exchange

4.3.1 Transmission of Process Data Objects (PDO)

Process Data Objects (PDO) are used for a fast exchange of process data. A maximum of 8 bytes of user data can be transferred in a PDO. The SGH50 supports the transmit PDO services TPDO1 and TPDO2 according to CiA 301 and CiA 406.

4.3.1.1 Transmit PDO (from the SGH50 to the master)

A PDO transmission from the display to the bus master (TPDO) can be initiated by various events:

- Asynchronously controlled by internal device timer
- Synchronously in response to a SYNC message
- In response to an RTR message

TPDO1 and TPDO2 are formed from the position value and the speed value. The transmission behavior of TPDO1 is defined by the objects 1800h, 1A00h and 6200h and is assigned to asynchronous transmission. The TPDO2 is defined via the objects 1801h and 1A01h and serves for synchronous transmission. The assignment is set as a default and cannot be changed.

The messages are structured as follows:

COB ID	User Data in Binary Code					
	Byte 0 (LSB)	Byte 1	Byte 2	Byte 3 MSB	Byte 4 (LSB)	Byte 5 MSB
TPDO1 Configure Node ID	Position value				Speed value	
TPDO2 280h + Node ID						

Table 5: TPDO message

Asynchronous Data Transmission (TPDO1)

If a TPDO1 is to be sent cyclically, the cycle time in milliseconds must be entered in the object 1800h, subindex 05h. If the value 0 ms is written, TPDO1 is not sent. The function is switched off. The minimum value to be set is 1h (= 1 ms). Alternatively, the value can also be written in the internally linked object 6200h.

Synchronous data transmission (TPDO2)

Upon delivery, the device responds to each received SYNC message with the output of the TPDO2 message. In object 1801h, sub-index 02h, 1h is entered for synchronous transmission. If a value n is entered between 1d and 240d (= F0h), the device responds to every nth SYNC message.

RTR

Requests can be sent via RTR (cf. Chapter 4.1 Control Field) to TPDO1 and TDPO2.

4.4 Parameter Data Exchange

4.4.1 Transmission of Service Data Objects (SDO)

Service data objects are mainly used for device configuration via the object directory. SDOs are supported in the expedited request/response ("accelerated request and confirmation procedure") and in the normal request/response.

The identifier is set to 11 bits and cannot be changed.

Two different SDO services are available:

- SDO (rx) (Master → SGH50): 600h + Node ID
- SDO (tx) (SGH50 → Master): 580h + Node ID

These SDO identifiers cannot be changed!

4.4.1.1 Accelerated request and confirmation procedure

Except for the reading of the object [1008h: Manufacturer Device Name](#), all SDOs are exchanged between two parties in the "expedited request/response" procedure. The user data is already delivered with the initialization message.

These SDO messages have the following structure:

COB ID	User data in binary code							
	Byte 0 read / write	Byte 1 LSB	Byte 2 MSB	Byte 3	Byte 4 LSB	Byte 5	Byte 6	Byte 7 MSB
SDO rx/tx + Node ID	Command byte	Index		Subindex	User data (parameters)			

Command Byte, Byte 0:

The command byte determines the type of access and the number of valid data bytes. The following command bytes are valid for the SGH50:

Command Byte	Type	Function
Write Request	23h	SDO (rx), Initiate Download Request, expedited Send parameter to slave (all 4 data bytes valid)
Write Request	2Bh	SDO (rx), Initiate Download Request, expedited Send parameter to slave (2 bytes of 4 data bytes valid)
Write Request	2Fh	SDO (rx), Initiate Download Request, expedited Send parameter to slave (1 byte of 4 data bytes valid)
Write Response	60h	SDO (tx), Initiate Download Response Confirmation of data transfer to the master
Read Request	40h	SDO (rx), Initiate Upload Request Request parameters of the slave
Read Response	43h	SDO (tx), Initiate Upload Response, expedited Report parameters to Master (all 4 data bytes valid)

Command Byte		Type	Function
Read Response	4Bh	SDO (tx), Initiate Upload Response, expedited	Report parameters to Master (2 bytes of 4 data bytes valid)
Read Response	4Fh	SDO (tx), Initiate Upload Response, expedited	Report parameters to Master (1 byte of 4 data bytes valid)
Error Response	80h	SDO (tx), Abort Domain Transfer	Slave reports error code to master

Table 6: Command encoding

Index, Bytes 1 and 2:

The index (object number) is entered in Intel data format in user data byte 2 (low byte) and user data byte 3 (high byte). The index of the object to be parameterized is entered there.

Subindex, Byte 3:

For objects that are executed as an array, the subindex indicates the number of the field.

User Data (Parameters), Bytes 4-7:

In the user data, the value of the parameter is entered in left-aligned Intel representation. Byte 4 = Low-Byte ... Byte 7 = High-Byte

4.4.1.2 Normal Request and Confirmation Procedure

If more than 4 bytes of service data have to be transmitted, the data is exchanged between two participants using the "normal request/response procedure". This procedure is also initiated by an initialization message, and the actual user data are then transmitted in the following segment messages.

With the SGH50, this is only the case when the object [1008h: Manufacturer Device Name](#) is read.

The initialization message has the following structure:

COB ID	User data in binary code							
	Byte 0 read / write	Byte 1 LSB	Byte 2 MSB	Byte 3	Byte 4 LSB	Byte 5	Byte 6	Byte 7 MSB
SDO rx/tx + Node ID	Command byte	Index		Subindex	User data (number of user data)			

The segment message has the following structure:

COB ID	User data in binary code							
	Byte 0 read / write	Byte 1 LSB	Byte 2	Byte 3	Byte 4	Byte 5	Byte 6	Byte 7 MSB
SDO rx/tx + Node ID	Command byte	User Data						

Initialization and segment message: Command Byte, Byte 0:

The command byte determines the type of access and the number of valid data bytes. The following command bytes are valid for the encoder:

Command Byte		Type	Function
Read Request	40h	SDO (rx), Normal Initiate Upload Request	Request parameter from slave (number of bytes to be transmitted)
Read Request	60h	SDO (rx), Normal Segment Upload Request	Request parameters from slave (user data)
Read Response	41h	SDO (tx), Normal Initiate Upload Response	Report parameter to master (number of bytes to be transferred)
Read Response	03h	SDO (tx), Normal Segment Upload Response	Report parameters to Master (user data)
Error Response	80h	SDO (tx), Abort Domain Transfer	Slave reports error code to master

Table 7: Command encoding

Initialization Message: Index, Bytes 1 and 2:

The index (object number) is entered in Intel data format in user data byte 2 (low byte) and user data byte 3 (high byte). The index of the object to be parameterized is entered there.

Initialization message: Subindex, Byte 3:

For objects that are executed as an array, the subindex indicates the number of the field.

Initialization message: User Data (Parameters), Bytes 4-7:

In the service data area, the value of the parameter is entered in left-aligned Intel representation. Byte 4 = Low-Byte ... Byte 7 = High-Byte

Segment message: User data (parameters), bytes 1-7:

In the user data area, the value of the parameter is entered in left-aligned Intel representation. Byte 1 = Low-Byte ... Byte 7 = High-Byte

4.4.1.3 Error response in SDO exchange

If the access is invalid, an error message (abort) is returned to the master. The error codes are described in the CANopen profile (CiA 301) or in the encoder profile (CiA 406). The following table shows the error codes used:

Error Code	Description
05030000h	Toggle bit in normal transfer of request/response unequal.
06010000h	Incorrect access to an object.
06010001h	Read access to write-only.
06010002h	Write access to read-only.

Error Code	Description
06020000h	Object does not exist in the object dictionary.
06090011h	Subindex does not exist.
06090030h	Value range of the selected parameter incorrect.
08000020h	Parameters cannot be transferred or saved to the application.
08000022h	Parameters cannot be transferred or saved to the application due to the current state of the device.
08000024h	No data available

Table 8: Error codes

4.4.1.4 SDO Examples

Example of Reading SDO Parameters with Accelerated Request and Confirmation

Procedure:

From the slave with device address 1h, the calibration value stored in object 6010h subindex 01h of the object directory is to be read.

Calculation of the identifier: 600h + Node ID = 600h + 1h = 601h

Command: 40h

Index: 6010h

Subindex: 01h

The current value is 510d = 01FEh

Request from master to slave with Node ID 1h:

COB ID	User Data							
	Command	Index L	Index H	Subindex	Data 0	Data 1	Data 2	Data 3
601h	40h	10h	60h	01h	x	x	x	x

Slave response to the request:

Calculation of the identifier: 580h + Node ID = 581h

COB ID	User Data							
	Command	Index LB	Index HB	Subindex	Data 0	Data 1	Data 2	Data 3
581h	43h (4 bytes valid)	10h	60h	01h	FEh	01h	00h	00h

Example of Writing SDO Parameters with Accelerated Request and Confirmation

Procedure:

In the slave with device address 1h, the calibration value, which is stored with 2 bytes in object 6200h of the object directory, is to be changed.

Calculation of the identifier: 600h + Node ID = 600h + 1h = 601h

Command: 2 bytes are to be written: 2Bh

Index: 6200h

Subindex: 00h

The new value should be 4500d = 1194h

Write a value from the master to the slave with Node ID 1h:

COB ID	User Data							
	Command	Index L	Index H	Subindex	Data 0	Data 1	Data 2	Data 3
601h	2Bh (2 bytes valid)	00h	62h	00h	94h	11h	00h	00h

Response of the slave to the command:

Calculation of the identifier: 580h + Node ID = 580h + 1h = 581h

COB ID	User Data							
	Command	Index L	Index H	Subindex	Data 0	Data 1	Data 2	Data 3
581h	60h	00h	62h	00h	00h	00h	00h	00h

Example of Reading SDO Parameters with Normal Request and Confirmation Procedure:

From SGH50 with device address 1h, the manufacturer device name stored in object 1008h of the object directory is to be read.

Calculation of the identifier: 600h + Node ID = 600h + 1h = 601h

Command: 40h

Index: 1008h

Subindex 00h

First request (initialization) from master to slave with Node ID 1h:

COB ID	User Data							
	Command	Index L	Index H	Subindex	Data 0	Data 1	Data 2	Data 3
601h	40h	08h	10h	00h	x	x	x	x

Slave response to the request:

Calculation of the identifier: 580h + Node ID = 581h

COB ID	User Data							
	Command	Index LB	Index HB	Subindex	Data 0	Data 1	Data 2	Data 3
581h	41h	08h	10h	00h	05h	00h	00h	00h

Expected number of user data bytes: 5

Second request from master to slave with Node ID 1h:

COB ID	User Data							
	Command	Index L	Index H	Subindex	Data 0	Data 1	Data 2	Data 3
601h	60h	08h	10h	00h	x	x	x	x

Slave response to the request:

COB ID	User Data							
	Command	Data 0	Data 1	Data 2	Data 3	Data 4	Data 5	Data 6
581h	03h	53h ("S")	47h ("G")	48h ("H")	32 h ("2")	35h ("5")	00h -	00h -

4.5 Safety data exchange

4.5.1 Transmission of safety-relevant data objects (SRDO)

Safety-relevant data objects (SRDO) are used for the cyclic exchange of secure data in the NMT state Operational. An SRDO always consists of 2 messages with different COB ID and data inverted bit by bit. A maximum of 8 bytes of user data can be transmitted in a SRDO. The SGH50 supports the Safety Transmit services SRDO1 for the position value (4 bytes) and SRDO2 for the speed (2 bytes) according to EN50325-5. The transmission behavior of SRDO1 is determined via the objects 1301h, 1381h, 6100h and 6102h. The SRDO is set via the objects 1302h, 1382h, 6101h and 6102h. The mapping is set fixed and cannot be changed.

COB ID	User Data			
	Byte 0 (LSB)	Byte 1	Byte 2	Byte 3 (MSB)
SRDO1 COB ID1 000000FFh + 2*Node ID	Position value			
SRDO1 COB ID2 00000100h + 2*Node ID	Bit-inverted position value			

Table 9: SRDO1 message

COB ID	User Data	
	Byte 0 (LSB)	Byte 1 (MSB)
SRDO2 COB ID1 0000010Fh + 2*Node ID	Speed value	
SRDO2 COB D2 00000110h + 2*Node ID	Bit-inverted speed value	

Table 10: SRDO2 message

4.5.2 Transmission of Service Data Objects (SDO) of the Safety Parameters

All safety-related service data objects for the device configuration are addressed in the expedited request/response.

All changes of safety-related service data objects are monitored via a checksum CRC-16-CCITT and can only be carried out in the NMT state pre-operational.

The polynomial is:

$$g(x) = x^{16} + x^{12} + x^5 + 1$$

Procedure for changing the configuration data in the objects 1301h, 1302h, 6100h, 6101h and 6102h:

- Change values
- Enter a new valid checksum (sub-index of the corresponding object 13FFh or object 61FFh).
- Set the corresponding configuration to valid via object 13FEh or 61FEh.

4.5.3 Procedure for the first commissioning of SRDO messages

The following steps are necessary for the exchange of safety data via SRDO messages for commissioning:

- Device must be in NMT state "PRE-OPERATIONAL"
- Configuration parameters for SRDO1 (cf. chapter 4.8.2.17), SRDO2 (cf. chapter 4.8.2.18), position (cf. chapter 4.8.2.40) and speed (cf. chapter 4.8.2.41) must be adjusted
- Calculate checksums (cf. 4.8.2.22 chapter and cf. 4.8.2.48 chapter)
- Set configurations to valid (cf. chapters 4.8.2.21 and 4.8.2.47)
- Save configurations if necessary (cf. chapter 4.8.2.11)
- Switch to the NMT state "OPERATIONAL" (cf. chapter 4.2.1.2)

Now the SRDO messages are transmitted according to the configuration parameters.

4.5.4 Example for calculating a checksum

In the following example, the checksum CRC-16-CCITT (polynomial 1021h) for SRDO2 is to be calculated. The checksum is calculated byte-by-byte and begins with the low byte over the content of the two objects 1302h and 1382h.

Object	Subindex	Name	Size	Data
1302h	SRDO2 communication parameters			
	01h	Information direction	1 byte	01h
	02h	Refresh time	2 byte	0019h
	03h	tx: reserved rx: SRVT	1 byte	14h
	05h	COB ID 1	4 byte	00000111h
	06h	COB ID 2	4 byte	00000112h
1382h	SRDO2 mapping parameters			
	00h	Highest sub-index	1 byte	02h
	01h	Subindex	1 byte	01h
	01h	Speed value	4 byte	61260110h
	02h	Subindex	1 byte	02h
	02h	Inverted speed value	4 byte	61270110h

The following data bytes are used to calculate the checksum:

01h 19h 00h 14h 11h 01h 00h 00h 12h 01h 00h 00h 02h 01h 10h 01h 26h 61h 02h 10h 01h 27h 61h

Checksum = B5BAh

4.5.5 Example of changing a configuration

In the following example, the information direction for SRD02 is to be changed from valid to not valid and the configuration of SRD01 is to be retained.

Change direction of information:

COB ID	User Data							
	Command	Index L	Index H	Subindex	Data 0	Data 1	Data 2	Data 3
600h + Node ID	2Fh	02h	13h	01h	00h	-	-	-

The default value 0000h is entered for the checksum. As a result, both checksums must be specified in the event of a change even if only one configuration is changed.

COB ID	User Data							
	Command	Index L	Index H	Subindex	Data 0	Data 1	Data 2	Data 3
600h + Node ID	2Bh	FFh	13h	01h	01h	02h	-	-
600h + Node ID	2Bh	FFh	13h	02h	B1h	D0h	-	-

Activate the configuration for SRD01 and SRD02. During the activation, the configuration is monitored with the aid of the checksum in object 13FFh subindex 01h and 02h.

Configurations can only be activated with the correct checksums.

COB ID	User Data							
	Command	Index L	Index H	Subindex	Data 0	Data 1	Data 2	Data 3
600h + Node ID	2Fh	FEh	13h	00h	A5h	-	-	-

4.6 Node monitoring

4.6.1 Emergency service (EMCY)

The state of the bus participant is transmitted in the event of a fault via high-priority emergency messages. These messages have a data length of 8 bytes and contain error information.

The emergency message is transmitted as soon as a sensor or communication error has occurred or is rectified. The cause of the fault is stored in the fault buffer (cf. Object [1003h: Pre-defined Error Field](#)). An emergency object is only sent once per error event. If a cause of

the fault has been eliminated, this is signaled by sending an emergency message with error code 0000h (No Error). If there are several malfunctions and one cause of the fault is eliminated, the error code 0000h is also output, but the remaining error state is specified in the error register.

Identifier	Byte 0	Byte 1	Byte 2	Byte 3	Byte 4	Byte 5	Byte 6	Byte 7
11/ 29 Bit	Emergency Error Code		Error Register (Object 1001h)	Manufacturer-specific error field (not used)				

Emergency Error Code

Error Description	Error Code
Malfunction cause eliminated	0000h
Bus status switches to Error Passive Mode	8120h
Recovered from Bus Off	8140h
Manufacturer specific: Position value error	FF05h
Manufacturer specific: Speed error	FF12h
Manufacturer specific: Position error working area 1	FF15h
Manufacturer specific: Position error working area 2	FF16h

Table 11: Emergency Error Code

The identifier of the emergency object is set to 80h + Node ID by default, but can be changed via object 1014h (cf. Object [1014h COB ID](#) emergency message). Sending an emergency message is only possible in the NMT state "OPERATIONAL" or "PRE-OPERATIONAL". The sending of emergency messages can be switched off by setting the COB ID valid bit to 1.

4.6.2 Node Guarding

Node Guarding is available for failure monitoring of the CANopen network. With Node Guarding, the master sets remote frames (RTR, remote transmission request) to the guarding identifiers of the bus nodes to be monitored. These respond with the guarding message. This contains the current NMT state of the node as well as a toggle bit whose value must change with each message. If the NMT state or toggle bit does not match the value expected by the master or there is no response occurs, the master assumes a node failure.

The time interval (life time) is set via the objects 100Ch (Guard Time) and 100Dh (Life Time Factor), within which the NMT master expects a message. The time interval "Life-Time" is calculated from the cycle time "Guard-Time", multiplied by the factor "Life-Time-Factor". If the NMT master does not receive a response to its RTR frame within the "life time", it can react with suitable measures. After powering up, Node Guarding is activated by sending the master's first RTR frame to the slave. If the value of one of the two objects (100Ch or 100Dh) is set to 0h, Node Guarding is deactivated.

The response of the node to the RTR frame of the master is structured as follows:

Identifier	Byte 0	
700h + Node-ID	Bit 7: Toggle Bit	Bit 6 ... 0: NMT state

Toggle Bit:

The toggle bit must alternate between two successive responses of the device. After the guarding protocol has been activated, the toggle bit must have the value 0 for the first response.

NMT State:

4: STOPPED

5: OPERATIONAL

127: PRE-OPERATIONAL

The identifier of the Node Guarding protocol is permanently set to 700h + Node ID and cannot be changed. Sending a Node Guard message is possible in the NMT state "OPERATIONAL", "PREOPERATIONAL" or "STOPPED".

Note:

The literature recommends using the heartbeat for node monitoring. With the Node Guarding protocol, only the master can detect missing communication. The heartbeat, on the other hand, can be received by all participants.

4.6.3 Heartbeat

The master monitors the state of the slave device via the heartbeat protocol. The device automatically sends its NMT status cyclically in this case. The SGH50 is a heartbeat producer; it does not receive and process heartbeat protocols itself. The cycle time of the heartbeat message is set via object 1017h. If the cycle time is 0h, the heartbeat protocol is deactivated.

The heartbeat message consists of the COB ID and an additional byte. This byte stores the current NMT state.

COB ID	Byte 0
700h + Node-ID	NMT state

NMT State:

4: STOPPED

5: OPERATIONAL

127: PRE-OPERATIONAL

The identifier of the Heartbeat protocol is permanently set to 700h + Node ID and cannot be changed. Sending a Heartbeat message is possible in the NMT state "OPERATIONAL", "PREOPERATIONAL" or "STOPPED".

4.7 Layer Setting Service (LSS)

Layer Setting Service (LSS) is a special procedure described in CiA 305 for querying and configuring various parameters (Node ID, baud rate and identity object 1018h).

Each device must have a unique LSS number composed from the entries in object 1018h.

- Vendor ID 0000 0195h

- Product Code: FFFF FFFFh
- Revision number: FFFF FFFFh
- Serial number: xxxx xxxxh (respective serial number of the encoder)

To be able to use complete LSS functionality, all devices on the bus must support the LSS procedure. There must be an LSS master, and all nodes must start at the same baud rate. After booting, the device is in LSS waiting. To make a configuration, one or all devices must be switched to the LSS configuration. If the LSS master expects an answer to its command, only one LSS slave may be switched to the LSS configuration.

Two different LSS services are available:

- LSS (rx) (LSS Master → SGH50): 7E5h
- LSS (tx) (SGH50 → LSS Master): 7E4h

These LSS identifiers cannot be changed!

A message always consists of 8 bytes. Byte 0 contains the command (command specifier cs). This is followed by a maximum of 7 data bytes. Unused data bytes are reserved and must be populated with 00h.

Services	LSS waiting	LSS configuration
Switch state global	Yes	Yes
Switch state selective	Yes	No
Activate bit timing parameters	No	Yes, if all devices on the bus support LSS
Configure bit timing parameters	No	Yes
Configure Node ID	No	Yes
Store configuration	No	Yes
Request LSS address	No	Yes
Request Node ID	No	Yes

Table 12: State behavior of the supported LSS Services

4.7.1 State Change

4.7.1.1 Switch states of all LSS Devices (Switch state global)

With this command, all devices on the bus can be put into the LSS Waiting or LSS Configuration state. The LSS slave devices do not respond to this.

Master → All LSS Slaves

COB ID	User Data							
	Byte 0 Command	Byte 1	Byte 2	Byte 3	Byte 4	Byte 5	Byte 6	Byte 7
7E5h	04h	Mode	00h	00h	00h	00h	00h	00h

Mode:

00h: Switch to LSS waiting state

01h: Switch to LSS configuration state

4.7.1.2 Switch states of individual devices (Switch state global)

With this command, individual LSS slave devices can be put into the LSS configuration state via the unique LSS number.

Master → SGH50

COB ID	User Data							
	Byte 0 Command	Byte 1	Byte 2	Byte 3	Byte 4	Byte 5	Byte 6	Byte 7
7E5h	40h	Vendor ID				00h	00h	00h

COB ID	User Data							
	Byte 0 Command	Byte 1	Byte 2	Byte 3	Byte 4	Byte 5	Byte 6	Byte 7
7E5h	41h	Product code				00h	00h	00h

COB ID	User Data							
	Byte 0 Command	Byte 1	Byte 2	Byte 3	Byte 4	Byte 5	Byte 6	Byte 7
7E5h	42h	Revision number				00h	00h	00h

COB ID	User Data							
	Byte 0 Command	Byte 1	Byte 2	Byte 3	Byte 4	Byte 5	Byte 6	Byte 7
7E5h	43h	Serial number				00h	00h	00h

SGH50 → Master

COB ID	User Data							
	Byte 0 Command	Byte 1	Byte 2	Byte 3	Byte 4	Byte 5	Byte 6	Byte 7
7E4h	44h	00h	00h	00h	00h	00h	00h	00h

4.7.2 Configuration

4.7.2.1 Node ID Setting (Configure Node ID)

The LSS master can configure the Node ID (NID) of individual LSS slaves in configuration mode. If the new Node ID should still be available after a power off/on, then the "Store configuration" command must be given after the change. To immediately activate the new Node ID, the LSS slave must be put into the LSS Waiting and then an NMT "Reset Communication" 82h given. Another option is to perform a power off/on after "Store configuration".

Master → SGH50

COB ID	User Data							
	Byte 0 Command	Byte 1	Byte 2	Byte 3	Byte 4	Byte 5	Byte 6	Byte 7
7E5h	11h	NID	00h	00h	00h	00h	00h	00h

NID:

01h ... 7Fh: Node ID

SGH50 → Master

COB ID	User Data							
	Byte 0 Command	Byte 1	Byte 2	Byte 3	Byte 4	Byte 5	Byte 6	Byte 7
7E4h	11h	Error code	Spec error	00h	00h	00h	00h	00h

Error Code:

00h: Transmission successful

01h: not a valid Node ID

FFh: Implementation error, cf. Spec error

Spec-error:

This byte is not equal to 0 only in the case of an implementation error and error code FFh.

4.7.2.2 Configuration of the baud rate (Configure bit timing parameters)

This command can be used to configure the baud rate of a single or several LSS slaves. If the new baud rate should still be available after a power off/on, then the "Store configuration" command must be given after the change. To activate the new baud rate, the command [4.7.2.3 Activate Baud Rate \(Activate bit timing parameters\)](#) must be given and the LSS slave put into LSS Waiting. Another option is to perform a power off/on after "Store configuration" to activate the new baud rate. The device only supports Table selector 00h and Table index 0 to 7.

Master → SGH50

COB ID	User Data							
	Byte 0 Command	Byte 1	Byte 2	Byte 3	Byte 4	Byte 5	Byte 6	Byte 7
7E5h	13h	Table selector	Table index	00h	00h	00h	00h	00h

Table selector:

00h: CiA 301 bit timing table

80h...FEh: Manufacturer-specific bit timing table

Table index:

Table index	Baud rate
0	1000 kbit/s
1	800 kbit/s
2	500 kbit/s
3	250 kbit/s
4	125 kbit/s
5	Reserved
6	50 kbit/s
7	20 kbit/s
8	Not supported
9	Not supported

SGH50 → Master

COB ID	User Data							
	Byte 0 Command	Byte 1	Byte 2	Byte 3	Byte 4	Byte 5	Byte 6	Byte 7
7E4h	13h	Error code	Spec error	00h	00h	00h	00h	00h

Error Code:

00h: Transmission successful

01h: not a valid baud rate

FFh: Implementation error, cf. Spec error

Spec-error:

This byte is not equal to 0 only in the case of an implementation error and error code FFh.

4.7.2.3 Activate Baud Rate (Activate bit timing parameters)

This command activates the baud rate newly set via [4.7.2.2 Configuration of the baud rate \(Configure bit timing parameters\)](#) without the necessity of a power off/on.

Master → SGH50

COB ID	User Data							
	Byte 0 Command	Byte 1 LSB	Byte 2 MSB	Byte 3	Byte 4	Byte 5	Byte 6	Byte 7
7E5h	15h	Switch delay		00h	00h	00h	00h	00h

Switch Delay:

The Switch delay parameter defines the length of two delay times (d1, d2) of the same length and must correspond to a multiple of 1 ms. After expiry of the individual processing time and the delay time d1, the new baud rate is adopted internally. After the delay time d2 has elapsed, the LSS slave reports the boot-up via the newly set baud rate. This procedure prevents devices with different baud rates from being on the bus at the same time. During the two delay times d1 and d2, the LSS slave cannot send messages.

4.7.2.4 Store configuration

This command may only be executed if only one LSS slave is in configuration mode. The current settings are then be stored.

Master → SGH50

COB ID	User Data							
	Byte 0 Command	Byte 1	Byte 2	Byte 3	Byte 4	Byte 5	Byte 6	Byte 7
7E5h	17h	00h	00h	00h	00h	00h	00h	00h

SGH50 → Master

COB ID	User Data							
	Byte 0 Command	Byte 1	Byte 2	Byte 3	Byte 4	Byte 5	Byte 6	Byte 7
7E4h	17h	Error code	Spec error	00h	00h	00h	00h	00h

Error Code:

00h: Transmission successful

01h: Store configuration is not supported

02h: Error during saving

FFh: Implementation error, cf. Spec error

Spec-error:

This byte is not equal to 0 only in the case of an implementation error and error code FFh.

4.7.3 Request parameters

The following requests may only be executed if only one LSS slave is in configuration mode.

4.7.3.1 Request vendor ID

Master → SGH50

COB ID	User Data							
	Byte 0 Command	Byte 1	Byte 2	Byte 3	Byte 4	Byte 5	Byte 6	Byte 7
7E5h	5Ah	00h	00h	00h	00h	00h	00h	00h

SGH50 → Master

COB ID	User Data							
	Byte 0 Command	Byte 1 LSB	Byte 2	Byte 3	Byte 4 MSB	Byte 5	Byte 6	Byte 7
7E4h	5Ah	Vendor ID (cf. Object 1018.1h)			00h	00h	00h	00h

4.7.3.2 Request product code

Master → SGH50

COB ID	User Data							
	Byte 0 Command	Byte 1	Byte 2	Byte 3	Byte 4	Byte 5	Byte 6	Byte 7
7E5h	5Bh	00h	00h	00h	00h	00h	00h	00h

SGH50 → Master

COB ID	User Data							
	Byte 0 Command	Byte 1 LSB	Byte 2	Byte 3	Byte 4 MSB	Byte 5	Byte 6	Byte 7
7E4h	5Bh	Product Code (cf. Object 1018.2h)			00h	00h	00h	00h

4.7.3.3 Request revision number

Master → SGH50

COB ID	User Data							
	Byte 0 Command	Byte 1	Byte 2	Byte 3	Byte 4	Byte 5	Byte 6	Byte 7
7E5h	5Ch	00h	00h	00h	00h	00h	00h	00h

SGH50 → Master

User Data								

COB ID	Byte 0 Command	Byte 1 LSB	Byte 2	Byte 3	Byte 4 MSB	Byte 5	Byte 6	Byte 7
7E4h	5Ch	Revision number (Object 1018.3h)				00h	00h	00h

4.7.3.4 Request serial number

Master → SGH50

COB ID	User Data							
	Byte 0 Command	Byte 1	Byte 2	Byte 3	Byte 4	Byte 5	Byte 6	Byte 7
7E5h	5Dh	00h	00h	00h	00h	00h	00h	00h

SGH50 → Master

COB ID	User Data							
	Byte 0 Command	Byte 1 LSB	Byte 2	Byte 3	Byte 4 MSB	Byte 5	Byte 6	Byte 7
7E4h	5Dh	Serial number (object 1018.4h)				00h	00h	00h

4.7.3.5 Request Node ID

Master → SGH50

COB ID	User Data							
	Byte 0 Command	Byte 1	Byte 2	Byte 3	Byte 4	Byte 5	Byte 6	Byte 7
7E5h	5Eh	00h	00h	00h	00h	00h	00h	00h

SGH50 → Master

COB ID	User Data							
	Byte 0 Command	Byte 1	Byte 2	Byte 3	Byte 4	Byte 5	Byte 6	Byte 7
7E4h	5Eh	Node ID (NID)		00h	00h	00h	00h	00h

4.8 Table of Objects

4.8.1 Object Overview

The following table provides an overview of the objects of the device.

Name	Description	Cf. page
1000h Device Type	Device profile and encoder type	32
1001h: Error Register	Current error state of the device	33

Name	Description	Cf. page
1002h: Manufacturer Status Register	Contains the Transmit Error Counter and the Receive Error Counter	33
1003h: Pre-defined Error Field	The object stores the 8 most recent error states	33
1005h: COB-ID SYNC Message	Setting of the COB ID of the SYNC object	34
1008h: Manufacturer Device Name	Device name in ASCII characters	34
1009h: Manufacturer Hardware Version	Specifies the hardware version of the device	35
100Ah: Manufacturer Software Version	Specifies the software version of the device	35
100Ch: Guard Time	Parameters for node guarding	35
100Dh: Life Time Factor	Parameters for node guarding	36
1010h: Store Parameter	Object for non-volatile storage of the settings	36
1011h: Restore Parameter	Object for restoring the factory settings	38
1014h COB ID emergency message	COB ID of the emergency object	40
1017h: Producer Heartbeat Time	Setting of the cycle time of the heartbeat timer	40
1018h: Identity Object	Contains the manufacturer number	40
1200h: Server SDO Parameter	SDO parameter	41
1301h: SRD01 Communication Parameter	SRD01 Communication Parameter	42
1302h: SRD02 Communication Parameter	SRD02 Communication Parameter	44
1381h: SRD01 mapping parameters	SRD01 Transmit Mapping Parameter	46
1382h: SRD02 mapping parameters	SRD02 Transmit Mapping Parameter	46
13FEh: Safety Configuration	Activate safety configuration for SRD01 and SRD02.	47
13FFh: Safety configuration signature (checksum)	Signatures (checksums) for SRD01 and SRD02 configurations	47
1800h 1. Transmit PDO Parameter	Transmit PDO for asynchronous transmission (timer-controlled)	49
1801h: 2. Transmit PDO Parameter	Transmit PDO for synchronous transmission	50
1A00h: 1. Transmit PDO Mapping Parameter	Describes the arrangement of the objects, which are shown in TPD01	52
1A01h: 2. Transmit PDO Mapping Parameter	Describes the arrangement of the objects that are displayed in TPD02	52
5000h: Diagnose CAN bus error	Provides information about the CAN bus errors that occurred	53
5F09h: Bus terminal.	Bus terminal.	53

Name	Description	Cf. page
5F0Ah: Node ID and baud rate Bus CAN	Setting of the Node ID and the baud rate	54
6000h: Operating Parameters	Setting of the scaling and the direction of rotation	55
6002h: Total number of measuring steps	Specifies the total number of measurement steps of the system	55
6003h: Preset value (calibration value)	Use object 6010h subindex 01h	56
6004h: Position value	Use object 6020h subindex 01h	56
6005h: Resolution	Setting of the resolution	56
600Ch: Raw value position	Raw value of position	56
6010h: Preset value (calibration value))	Setting of the calibration value	57
6020h: Position value	Position value	57
6030h: Speed	Speed value	58
6031h: Speed parameter	Setting of the speed parameters	58
6100h: Safety configuration parameters of the position	Safety configuration of the position parameters	59
6101h: Safety configuration parameters of the speed	Safety configuration of the speed parameters	61
6102h: Safety preset value (safety calibration value)	Setting of the calibration value	61
6126h: Safety speed value	Safety speed value	62
6127h: Safety inverted speed value	Safety inverted speed value	62
6128h: Safety position value	Safety position value (calculated with calibration and offset value)	63
6129h: Safety inverted position value	Safety inverted position value (calculated with calibration and offset value)	63
61FEh: Safety application configuration	Activate safety configuration for SRD01 and SRD02.	63
61FFh: Safety application configuration signature (checksum)	Signatures (checksums) for safety configuration of position and speed	64
6200h: Cycle Timer cycle	Identical with object 1800h, subindex 5	56
6400h: Work area (area state register)	Indicates whether the position value is within the set working ranges 1 and 2	66
6401h: Work Area Low Limit	Setting of the lower limits of the working range 1 and 2	67
6402h: Work Area High Limit	Setting of the upper limits of the working range 1 and 2	68
6500h: Operating Status	Output of the scaling and the direction of rotation	66
6501h: Single-turn resolution	The physical number of measuring steps per revolution	69

Name	Description	Cf. page
6502h: Number of distinguishable revolutions	Number of revolutions that the encoder can detect	69
6503h: Alarms	Display of error states	70
6504h: Supported Alarms	Specifies which alarm messages are supported	70
6505h: Warnings	Display of warnings	71
6506h: Supported Warnings	Specifies which warnings are supported	71
6507h: Profile and Software Version	Displays the version number of the device profile used and the version number of the device firmware	69
6508h: Operating Time	Operating hour meter (function is not supported)	72
6509h: Offset value	Encoder states at the time of calibration	72
650Ah: Module identification	Specifies the manufacturer-specific offset value as well as the smallest and largest transferable position value	72
650Bh: Serial number	Specifies the serial number	73
650Ch: Offset value for multi-sensor device	Encoder states at the time of calibration	73
650Eh: Device functionality	Provides information about the device functionality	74

Table 13: Object Overview

4.8.2 Object Description

4.8.2.1 1000h Device Type

The object 1000h specifies the device profile number.

Subindex	00h			
Description	Information about device profile and device type			
Access	ro			
PDO mapping	No			
Data type	UNSIGNED 32			
Default	000A0196h			
EEPROM	No			
Data content	Device profile number		Encoder type	
	Byte 0	Byte 1	Byte 2	Byte 3
	96h	01h	0Ah	38h

0196h (= 406d): CANopen Device Profile for Encoders

380Ah: Multi-sensor encoder interface, manufacturer-specific SRDO mapping

4.8.2.2 1001h: Error Register

The object 1001h displays the error state of the device.

Subindex	00h		
Description	Currently existing error state		
Access	ro		
PDO mapping	No		
Data type	UNSIGNED 8		
Default	0h		
EEPROM	No		
Data content	Bit	Significance	
	0	Set bit indicates the occurrence of any error state	
	4	Set bit indicates communication errors on the CAN bus (passive or Bus off)	
	7	Manufacturer-specific (sensor error)	
	1 -3 5-6	Not used	

Faults and errors are signaled by an emergency message at the moment of their occurrence.

4.8.2.3 1002h: Manufacturer Status Register

Object 1002h outputs the counter readings of the tab "Receive Error Counter" and "transmit error counter". The contents of this tab provide information about transmission faults at the mounting location of the encoder.

Subindex	00h			
Description	Transmit Error Counter and Receive Error Counter			
Access	ro			
PDO mapping	No			
Data type	UNSIGNED 32			
Default	0h			
EEPROM	No			
Data content	Byte 0	Byte 1	Byte 2	Byte 3
	Receive Error Counter	Transmit Error Counter		

4.8.2.4 1003h: Pre-defined Error Field

In object 1003h, the 8 most recent error states are archived (cf. Chapter [4.6.1](#)).

- The entry under subindex 0 specifies the number of the stored errors.
- The most recent error state is always stored in subindex 01h. Previous error messages move in the position by one subindex further.
- The entire error list is deleted when you write the value 0h at subindex 00h.
- The entries in the error list have the format described in Chapter [4.6.1](#).

Subindex	00h
Description	Number of stored error messages
Access	rw
PDO mapping	No
Data type	UNSIGNED 8
Default	0h
EEPROM	Yes

Subindex	01h-08h
Description	Error messages that occurred
Access	ro
PDO mapping	No
Data type	UNSIGNED 32
Default	0h
EEPROM	Yes

4.8.2.5 1005h: COB-ID SYNC Message

The COB ID of the SYNC object is set by object 1005h.

Subindex	00h	
Description	Defines the COB ID of the synchronization object (SYNC)	
Access	rw (can only be described in the "Pre-Operational" state; cf. Chapter 4.1)	
PDO mapping	No	
Data type	UNSIGNED 32	
Default	80h	
EEPROM	Yes	
Data content	Bit 31	Not specified
	Bit 30	0: Device does not generate any SYNC message
	Bit 29	0: 11 bit identifier (CAN 2.0A) 1: 29 bit identifier (CAN 2.0B)
	Bit 28 ... 11	0: if Bit 29 = 0 X: Bits 28 - 11 of the SYNC COB ID if bit 29 = 1
	Bit 10 ... 0	X: Bits 10 - 0 of the SYNC COB ID

4.8.2.6 1008h: Manufacturer Device Name

Object 1008h specifies the device name. Because this contains 5 data bytes, the SDO Normal Transfer is required for reading (cf. Chapter 4.4.1.2).

Subindex	00h
Description	Device name in ASCII characters
Access	Const

PDO mapping	No						
Data type	Visible_String						
Default	SGH50						
EEPROM	No						
	Byte 0	Byte 1	Byte 2	Byte 3	Byte 4	Byte 5	Byte 6
	53h ("S")	47h ("G")	48h ("H")	35h ("5")	30h ("0")	00h -	00h -

4.8.2.7 1009h: Manufacturer Hardware Version

Object 1009h specifies the hardware version.

Subindex	00h			
Description	Hardware version in ASCII characters			
Access	Const			
PDO mapping	No			
Data type	Visible_String			
Default	V100.			
EEPROM	No			
Data content	Byte 0	Byte 1	Byte 2	Byte 3
	56h ("V")	30h ("1")	30h ("0")	31h ("0")

4.8.2.8 100Ah: Manufacturer Software Version

The object 100Ah specifies software version of the device.

Subindex	00h			
Description	Software version in ASCII characters			
Access	Const			
PDO mapping	No			
Data type	Visible_String			
Default	V100.			
EEPROM	No			
Data content	Byte 0	Byte 1	Byte 2	Byte 3
	56h ("V")	31h ("1")	30h ("0")	30h ("0")

4.8.2.9 100Ch: Guard Time

Object 100Ch specifies the cycle time set in the master for the node guarding (cf. Chapter 4.6.2). The cycle time width is entered in milliseconds. The value "0h" means that Node Guarding is deactivated.

Subindex	00h
Description	Guard Time

Access	rw
PDO mapping	No
Data type	UNSIGNED 16
Default	0h
EEPROM	Yes

4.8.2.10 100Dh: Life Time Factor

Object 100Dh specifies the Life Time Factor set in the master for the node guarding (cf. Chapter 4.6.2). The value "0h" means that Node Guarding is deactivated.

Subindex	00h
Description	Life Time Factor
Access	rw
PDO mapping	No
Data type	UNSIGNED 8
Default	0h
EEPROM	Yes

4.8.2.11 1010h: Store Parameter

With this object, parameters are transmitted into the EEPROM, so that they are safe from power outages. Depending on the selection of which subindex is accessed, different parameter groups are saved. The string "save" must also be transmitted as data content.

Subindex	00h
Description	Displays the largest supported subindex
Access	const
PDO mapping	No
Data type	UNSIGNED 8
Default	4h
EEPROM	No

Subindex	01h			
Description	Save all parameters			
Access	rw			
PDO mapping	No			
Data type	UNSIGNED 32			
Default	1h			
EEPROM	No			
Data content	Writing:			
	Byte 0	Byte 1	Byte 2	Byte 3
	73h ("s")	61h ("a")	76h ("v")	65h ("e")

	Read:	
Bit 31 ... 2	0, reserved	
Bit 1	0: Device does not store parameters independently	
Bit 0	1: Device stores parameters on command	

Subindex	02h		
Description	Only save communication parameters (1000h-1FFFh, CiA 301)		
Access	rw		
PDO mapping	No		
Data type	UNSIGNED 32		
Default	1h		
EEPROM	No		
Data content	Writing:		
Byte 0	Byte 1	Byte 2	Byte 3
73h ("s")	61h ("a")	76h ("v")	65h ("e")
	Read:		
Bit 31 ... 2	0, reserved		
Bit 1	0: Device does not store parameters independently		
Bit 0	1: Device stores parameters on command		

Subindex	03h		
Description	Only save application parameters (6000h-9FFFh, CiA 406)		
Access	rw		
PDO mapping	No		
Data type	UNSIGNED 32		
Default	1h		
EEPROM	No		
Data content	Writing:		
Byte 0	Byte 1	Byte 2	Byte 3
73h ("s")	61h ("a")	76h ("v")	65h ("e")
	Read:		
Bit 31 ... 2	0, reserved		
Bit 1	0: Device does not store parameters independently		
Bit 0	1: Device stores parameters on command		

Subindex	04h		
Description	Only save manufacturer-specific parameters (2000h-5FFFh)		
Access	rw		
PDO mapping	No		
Data type	UNSIGNED 32		
Default	1h		

EEPROM	No			
Data content	Writing:			
	Byte 0	Byte 1	Byte 2	Byte 3
	73h ("s")	61h ("a")	76h ("v")	65h ("e")
	Read:			
	Bit 31 ... 2	0, reserved		
	Bit 1	0: Device does not store parameters independently		
	Bit 0	1: Device stores parameters on command		

4.8.2.12 1011h: Restore Parameter

The object 1011h restores the factory settings of the device depending on the selection. The string "load" must be sent as data content and then a reset performed. If the restored parameters are to be available permanently, they must be saved via the object [1010h: Store Parameter](#).

Subindex	00h
Description	Displays the largest supported subindex
Access	const
PDO mapping	No
Data type	UNSIGNED 8
Default	4h
EEPROM	No

Subindex	01h			
Description	Set all parameters to factory settings			
Access	rw			
PDO mapping	No			
Data type	UNSIGNED 32			
Default	1h			
EEPROM	No			
Data content	Writing:			
	Byte 0	Byte 1	Byte 2	Byte 3
	6Ch ("l")	6Fh ("o")	61h ("a")	64h ("d")
	Read			
	Bit 31 ... 1	0, reserved		
	Bit 0	1: Device allows the loading of default parameters.		

Subindex	02h
Description	Only set communication parameters to the factory setting (1000h-1FFFh, CiA 301)
Access	rw
PDO mapping	No

Data type	UNSIGNED 32			
Default	1h			
EEPROM	No			
Data content	Writing:			
	Byte 0	Byte 1	Byte 2	Byte 3
	6Ch ("l")	6Fh ("o")	61h ("a")	64h ("d")
	Read:			
	Bit 31 ... 1	0, reserved		
	Bit 0	1: Device allows the loading of default parameters.		

Subindex	03h			
Description	Only set application parameters to the factory setting (6000h-9FFFh, CiA 406)			
Access	rw			
PDO mapping	No			
Data type	UNSIGNED 32			
Default	1h			
EEPROM	No			
Data content	Writing:			
	Byte 0	Byte 1	Byte 2	Byte 3
	6Ch ("l")	6Fh ("o")	61h ("a")	64h ("d")
	Read			
	Bit 31 ... 1	0, reserved		
	Bit 0	1: Device allows the loading of default parameters.		

Subindex	04h			
Description	Only set manufacturer-specific parameters to the factory setting (2000h-5FFFh)			
Access	rw			
PDO mapping	No			
Data type	UNSIGNED 32			
Default	1h			
EEPROM	No			
Data content	Writing:			
	Byte 0	Byte 1	Byte 2	Byte 3
	6Ch ("l")	6Fh ("o")	61h ("a")	64h ("d")
	Read			
	Bit 31 ... 1	0, reserved		
	Bit 0	1: Device allows the loading of default parameters.		

4.8.2.13 1014h COB ID emergency message

The COB ID of the emergency object is set by object 1014h (cf. Chapter 4.6.1).

Subindex	00h	
Description	Defines the COB ID of the emergency object (EMCY)	
Access	rw (can only be described in the "Pre-Operational" state; cf. Chapter 4.1)	
PDO mapping	No	
Data type	UNSIGNED 32	
Default	80h + Node ID	
EEPROM	Yes	
Data content	Bit 31	0: EMCY object exists/is valid 1: EMCY object does not exist/is invalid
	Bit 30	Always 0b
	Bit 29	0: 11 bit identifier (CAN 2.0A) 1: 29 bit identifier (CAN 2.0B)
	Bit 28 ... 11	0: if Bit 29 = 0b X: Bits 28 - 11 of the EMCYCOB ID if bit 29 = 1b
	Bit 10 ... 0	X: Bits 10 - 0 of the EMCY COB ID

4.8.2.14 1017h: Producer Heartbeat Time

The cycle time "Heartbeat Time" is set for the Heartbeat protocol by object 1017h. The cycle time width is entered in milliseconds.

Subindex	00h
Description	Defines the cycle time of the Heartbeat monitoring service
Access	rw
PDO mapping	No
Data type	UNSIGNED 16
Default	0
EEPROM	Yes
Data content	0d, 10d ... 65535d (0h, Ah ... FFFFh); the numerical value corresponds to a multiple of 1 ms. The value 0h deactivates the service.

4.8.2.15 1018h: Identity Object

The manufacturer identification number (Vendor ID) is indicated by object 1018h.

Subindex	00h
Description	Displays the largest supported subindex
Access	const
PDO mapping	No
Data type	UNSIGNED 8
Default	4h
EEPROM	No

Subindex	01h
Description	Manufacturer identification number (Vendor ID) assigned to SIKO GmbH by CiA
Access	ro
PDO mapping	No
Data type	UNSIGNED 32
Default	195h
EEPROM	No

Subindex	02h
Description	Product Code (function is not supported; only compatibility entry for various configurators)
Access	ro
PDO mapping	No
Data type	UNSIGNED 32
Default	FFFFFFFFh
EEPROM	No

Subindex	03h
Description	Revision Number (function is not supported; only compatibility entry for various configurators)
Access	ro
PDO mapping	No
Data type	UNSIGNED 32
Default	FFFFFFFFh
EEPROM	No

Subindex	04h
Description	Serial Number
Access	ro
PDO mapping	No
Data type	UNSIGNED 32
EEPROM	Yes

4.8.2.16 1200h: Server SDO Parameter

The COB IDs are specified for the server SDOs by object 1200h. The COB IDs cannot be changed.

Subindex	00h
Description	Displays the largest supported subindex

Access	const
PDO mapping	No
Data type	UNSIGNED 8
Default	2h
EEPROM	No

Subindex	01h
Description	COB ID Client -> Server (rx)
Access	ro
PDO mapping	No
Data type	UNSIGNED 32
Default	00000600h + Node ID
EEPROM	No

Subindex	02h
Description	COB ID Server -> Client (tx)
Access	ro
PDO mapping	No
Data type	UNSIGNED 32
Default	00000580h + Node-ID
EEPROM	No

4.8.2.17 1301h: SRD01 Communication Parameter

The communication behavior of the SRD01 can be specified by the object 1301h.

Subindex	00h
Description	Displays the largest supported subindex
Access	ro
PDO mapping	No
Data type	UNSIGNED 8
Default	6h
EEPROM	No

Subindex	01h
Description	Information direction
Access	ro when NMT state is operational rw when NMT state is pre-operational
PDO mapping	No
Data type	UNSIGNED 8
Default	1
EEPROM	Yes

Data content	0: SRDO1 is not valid 1: SRDO1 is TX and valid
--------------	---

Subindex	02h
Description	Refresh time
Access	ro when NMT state is operational rw when NMT state is pre-operational
PDO mapping	No
Data type	UNSIGNED 16
Default	25d (0019h)
EEPROM	Yes
Data content	10d...65535d (000Ah...FFFFh)

Subindex	03h
Description	tx: reserved rx: SRVT
Access	ro when NMT state is operational rw when NMT state is pre-operational
PDO mapping	No
Data type	UNSIGNED 8
Default	20d (14h)
EEPROM	No
Data content	20d (14h)

Subindex	04h
Description	Transmission Type
Access	ro
PDO mapping	No
Data type	UNSIGNED 8
Default	254d (FEh)
EEPROM	No
Data content	254d (FEh)

Subindex	05h
Description	COB ID1
Access	ro when NMT state is operational rw when NMT state is pre-operational
PDO mapping	No
Data type	UNSIGNED 32
Default	000000FFh + 2*Node ID
EEPROM	Yes

Data content	257d (101h)...383d (17Fh) (odd values only)
--------------	---

Subindex	06h
Description	COB ID2
Access	ro when NMT state is operational rw when NMT state is pre-operational
PDO mapping	No
Data type	UNSIGNED 32
Default	00000100h + 2*Node ID
EEPROM	Yes
Data content	258d (102h)...384 (180h) (even values only)

4.8.2.18 1302h: SRD02 Communication Parameter

The communication behavior of the SRDO can be specified by the object 1302h.

Subindex	00h
Description	Displays the largest supported subindex
Access	ro
PDO mapping	No
Data type	UNSIGNED 8
Default	6h
EEPROM	No

Subindex	01h
Description	Information direction
Access	ro when NMT state is operational rw when NMT state is pre-operational
PDO mapping	No
Data type	UNSIGNED 8
Default	1
EEPROM	Yes
Data content	0: SRD02 is not valid 1: SRD02 is TX and valid

Subindex	02h
Description	Refresh time
Access	ro when NMT state is operational rw when NMT state is pre-operational
PDO mapping	No
Data type	UNSIGNED 16
Default	25d (0019h)

EEPROM	Yes
Data content	10d...65535d (000Ah...FFFh)

Subindex	03h
Description	tx: reserved rx: SRVT
Access	ro when NMT state is operational rw when NMT state is pre-operational
PDO mapping	No
Data type	UNSIGNED 8
Default	20d (14h)
EEPROM	No
Data content	20d (14h)

Subindex	04h
Description	Transmission Type
Access	ro
PDO mapping	No
Data type	UNSIGNED 8
Default	254 (FEh)
EEPROM	No
Data content	254d (FEh)

Subindex	05h
Description	COB ID1
Access	ro when NMT state is operational rw when NMT state is pre-operational
PDO mapping	No
Data type	UNSIGNED 32
Default	0000010Fh + 2*Node ID
EEPROM	Yes
Data content	257d (101h)...383d (17Fh) (odd values only)

Subindex	06h
Description	COB ID2
Access	ro when NMT state is operational rw when NMT state is pre-operational
PDO mapping	No
Data type	UNSIGNED 32
Default	00000110h + 2*Node ID
EEPROM	Yes

Data content	258d (102h)...384 (180h) (even values only)
--------------	---

4.8.2.19 1381h: SRD01 mapping parameters

The objects are specified by object 1381h that are depicted in the first Safety Transmit SRDO (SRD01).

Subindex	00h
Description	Displays the largest supported subindex
Access	ro
PDO mapping	No
Data type	UNSIGNED 8
Default	2h
EEPROM	No

Subindex	01h
Description	1. Object of the SRD01 message with the COB-ID1 (data byte 0 to 3)
Access	ro
PDO mapping	No
Data type	UNSIGNED 32
Default	61280120h (position value of object 6128h, subindex 01h, 32 bit)
EEPROM	No

Subindex	02h
Description	1. Object of the SRD01 message with the COB ID2 (data byte 0 to 3)
Access	ro
PDO mapping	No
Data type	UNSIGNED 32
Default	61290120h (position value of object 6129h, subindex 01h, 32 bit)
EEPROM	No

4.8.2.20 1382h: SRD02 mapping parameters

The objects are specified by object 1382h that are depicted in the second Safety Transmit SRDO (SRD02).

Subindex	00h
Description	Displays the largest supported subindex
Access	ro
PDO mapping	No
Data type	UNSIGNED 8
Default	2h
EEPROM	No

Subindex	01h
Description	1. Object of the SRD02 message with the COB ID1 (data byte 0 to 1)
Access	ro
PDO mapping	No
Data type	UNSIGNED 32
Default	61260110h (velocity value object 6126h, sub-index 01h, 16 bit)
EEPROM	No

Subindex	02h
Description	1. Object of the SRD02 message with the COB ID2 (data byte 0 to 1)
Access	ro
PDO mapping	No
Data type	UNSIGNED 32
Default	61270110h (inv. speed value object 6127h, sub-index 01h, 16 bit)
EEPROM	No

4.8.2.21 13FEh: Safety Configuration

The SRDO configuration can be switched to valid by the object 13FEh.

Subindex	00h
Description	This parameter is automatically invalidated after a parameter in object 1301h or 1302h has been changed and must be set to valid again via this object. Switching to valid is only possible if the correct signatures are entered in object 13FFh.
Access	rw
PDO mapping	No
Data type	UNSIGNED 8
Default	0h
EEPROM	Yes
Data content	A5h: SRD01 and SRD02 configuration valid 00h...A4h and A6h...FFh: SRD01 and SRD02 configuration not valid

4.8.2.22 13FFh: Safety configuration signature (checksum)

This object 13FFh contains the signatures (checksums) via the CANopen Safety parameters of SRD01 and SRD02. Only a checksum valid at the time can be transferred. Before the configuration is set to valid, the checksum is checked again. Only then does a change in the configuration become valid.

Subindex	00h
Description	Displays the largest supported subindex
Access	ro

PDO mapping	No
Data type	UNSIGNED 8
Default	2h
EEPROM	No

Subindex	01h				
Description	SRD01 signature (checksum)				
Access	rw				
PDO mapping	No				
Data type	UNSIGNED 16				
Default	0000h				
EEPROM	Yes				
Data content	The checksum CRC-16-CCITT (polynomial 1021h) is calculated via the content of the two objects 1301h and 1381h (cf. chapter 4.5.3).				
	Object	Subindex	Name	Size	Value
	1301h	SRD01 Communication Parameter			
		01h	Information direction	1 byte	Object 1301h Subindex 01h
		02h	Refresh time	2 byte	Object 1301h Subindex 02h
		03h	tx: reserved rx: SRVT	1 byte	Object 1301h Subindex 03h
		05h	COB ID 1	4 byte	Object 1301h Subindex 05h
		06h	COB ID 2	4 byte	Object 1301h Subindex 06h
	1381h	SRD01 mapping parameters			
		00h	Highest sub-index	1 byte	02h
		01h	Subindex	1 byte	01h
		01h	Position value	4 byte	61280120h
		02h	Subindex	1 byte	02h
		02h	Inverted position value	4 byte	61290120h

Subindex	02h				
Description	SRD02 signature (checksum)				
Access	rw				
PDO mapping	No				
Data type	UNSIGNED 16				
Default	0000h				
EEPROM	Yes				
Data content	The checksum CRC-16-CCITT (polynomial 1021h) is calculated via the content of the two objects 1302h and 1382h (cf. chapter 4.5.3).				
	Object	Subindex	Name	Size	Value

	1302h	SRD02 Communication Parameter			
		01h	Information direction	1 byte	Object 1302h Subindex 01h
		02h	Refresh time	2 byte	Object 1302h Subindex 02h
		03h	tx: reserved rx: SRVT	1 byte	Object 1301h Subindex 03h
		05h	COB ID 1	4 byte	Object 1302h Subindex 05h
		06h	COB ID 2	4 byte	Object 1302h Subindex 06h
	1382h	SRD02 mapping parameters			
		00h	Highest sub-index	1 byte	02h
		01h	Subindex	1 byte	01h
		01h	Speed value	4 byte	61260110h
		02h	Subindex	1 byte	02h
	02h	Inverted speed value	4 byte	61270110h	

4.8.2.23 1800h 1. Transmit PDO Parameter

According to CiA 406, TPD01 is used for asynchronous PDO transmission. The communication parameters for TPD01 are set by object 1800h.

Subindex	00h
Description	Displays the largest supported subindex
Access	const
PDO mapping	No
Data type	UNSIGNED 8
Default	5h
EEPROM	No

Subindex	01h
Description	COB ID of PDO1
Access	rw (can only be described in the "Pre-Operational" state; cf. Chapter 4.1)
PDO mapping	No
Data type	UNSIGNED 32
Default	Configure Node ID
EEPROM	Yes

Subindex	02h
Description	Transmission Type
Access	rw
PDO mapping	No

Data type	UNSIGNED 8	
Default	FEh (254d)	
EEPROM	Yes	
Data content	FEh (254d) FFh (255d)	PDO has asynchronous characteristics (PDO is sent depending on the "Event Timer").
	FDh (253d)	The device only responds to an RTR request if RTR Bit 30 is released in the COB ID.

Subindex	03h
Description	Inhibit time (function is not supported; only compatibility entry for various configurators)
Access	ro
PDO mapping	No
Data type	UNSIGNED 16
Default	0h
EEPROM	No

Subindex	04h (is not used; access generates an error message)
----------	--

Subindex	05h
Description	Event timer for TPD01 hard-wired (CiA 406) with cyclic timer 6200h
Access	rw
PDO mapping	No
Data type	UNSIGNED 16
Default	0h
EEPROM	Yes
Data content	Writing the value 0h switches off the service. The content of this object is identical with object 6200h. If the value is changed when the timer is running, the change only takes effect after the next run of the timer.

Subindex	06h (is not used; access generates an error message)
----------	--

4.8.2.24 1801h: 2. Transmit PDO Parameter

According to CiA 406, TPD02 is used for synchronous PDO transmission. The communication parameters for TPD02 are set by object 1801h.

Subindex	00h
Description	Displays the largest supported subindex
Access	const
PDO mapping	No
Data type	UNSIGNED 8

Default	5h
EEPROM	No

Subindex	01h
Description	COB ID of PDO2
Access	rw (can only be described in the "Pre-Operational" state; cf. Chapter 4.1)
PDO mapping	No
Data type	UNSIGNED 32
Default	280h + Node ID
EEPROM	Yes

Subindex	02h	
Description	Transmission Type	
Access	rw	
PDO mapping	No	
Data type	UNSIGNED 8	
Default	1h	
EEPROM	Yes	
Data content	1h (1) F0h (240)	PDO is sent after received 1d ... 240d SYNC messages.
	FCh (252)	The device only responds to an RTR request if RTR Bit 30 is released in the COB ID.

Subindex	03h
Description	Inhibit time (function is not supported; only compatibility entry for various configurators)
Access	ro
PDO mapping	No
Data type	UNSIGNED 16
Default	0h
EEPROM	No

Subindex	04h (is not used; access generates an error message)
----------	--

Subindex	05h
Description	Event timer (function is not supported; only compatibility entry for various configurators)
Access	ro
PDO mapping	No
Data type	UNSIGNED 16
Default	0h

EEPROM	No
--------	----

Subindex	06h (is not used; access generates an error message)
----------	--

4.8.2.25 1A00h: 1. Transmit PDO Mapping Parameter

The objects are specified by object 1A00h that are depicted in the first Transmit PDO (TPDO1).

Subindex	00h
Description	Number of mapped objects
Access	const
PDO mapping	No
Data type	UNSIGNED 8
Default	2h
EEPROM	No

Subindex	01h
Description	1. Object of the PDO1 message (data bytes 0 to 3)
Access	ro
PDO mapping	No
Data type	UNSIGNED 32
Default	60200120h (position value of object 6020h, subindex 01h, 32 bit)
EEPROM	No

Subindex	02h
Description	2. Object of the PDO1 message (data bytes 4 to 5)
Access	ro
PDO mapping	No
Data type	UNSIGNED 32
Default	60300110h (speed 6030h, subindex 01h, 16 bit)
EEPROM	No

4.8.2.26 1A01h: 2. Transmit PDO Mapping Parameter

The objects are specified by object 1A01h that are depicted in the second Transmit PDO (TPDO2).

Subindex	00h
Description	Number of mapped objects
Access	const
PDO mapping	No
Data type	UNSIGNED 8

Default	2h
EEPROM	No

Subindex	01h
Description	1. Object of the PDO2 message (data bytes 0 to 3)
Access	ro
PDO mapping	No
Data type	UNSIGNED 32
Default	60200120h (position value of object 6020h, subindex 01h, 32 bit)
EEPROM	No

Subindex	02h
Description	2. Object of the PDO2 message (data bytes 4 to 5)
Access	ro
PDO mapping	No
Data type	UNSIGNED 32
Default	60300110h (speed 6030h, subindex 01h, 16 bit)
EEPROM	No

4.8.2.27 5000h: Diagnose CAN bus error

A prioritized list of the CAN bus errors that occurred can be read via object 5000h.

Subindex	00h			
Description	Provides the CAN bus errors Acknowledge, Form, CRC and Stuff Error sorted according to frequency.			
Access	ro			
PDO mapping	No			
Data type	UNSIGNED 32			
Default	0h			
EEPROM	No			
Data content	Byte 0	Byte 1	Byte 2	Byte 3
	General Acknowledgment Error	Form error	CRC error	Stuff error
	0, 1, 2, 3, 4	0, 1, 2, 3, 4	0, 1, 2, 3, 4	0, 1, 2, 3, 4

Explanation of the data content:

0: Error does not occur at all

4: Most frequently occurring error

4.8.2.28 5F09h: Bus terminal.

Internal CAN bus termination resistance can be activated by object 5F09h.

Subindex	00h
Description	Switch CAN bus termination on or off
Access	rw
PDO mapping	No
Data type	UNSIGNED 8
Default	0h
EEPROM	No
Data content	0: internal bus termination not activated 1: internal bus termination activated

4.8.2.29 5FOAh: Node ID and baud rate Bus CAN

Node ID and the baud rate bus can be set by object 5FOAh.

Subindex	00h
Description	Displays the largest supported subindex
Access	const
PDO mapping	No
Data type	UNSIGNED 8
Default	2h
EEPROM	No

Subindex	01h
Description	Node ID
Access	rw
PDO mapping	No
Data type	UNSIGNED 8
Default	1h
EEPROM	Yes
Data content	01h ... 7Fh

Subindex	02h
Description	Baud rate of the CAN bus
Access	rw
PDO mapping	No
Data type	UNSIGNED 8
Default	5h (500 kBaud)
EEPROM	Yes

Data content	1: 20 kbit/s 2: 50 kbit/s 3: 125 kbit/s 4: 250 kbit/s 5: 500 kbit/s 6: 800 kbit/s 7: 1000 kbit/s
--------------	--

4.8.2.30 6000h: Operating Parameters

Operating parameters can be set via object 6000h.

Subindex	00h	
Description	Operating Parameters	
Access	rw	
PDO mapping	No	
Data type	UNSIGNED 16	
Default	4h	
EEPROM	Yes	
Data content	Bit 15 ... 4	Not used
	Bit 3	0: Counting direction of increasing values 1: Counting direction of decreasing values
	Bit 2	1: Release scaling
	Bit 1	Not used
	Bit 0	Not used

Scaling: The encoder works with its set resolution, which can be parameterized via object 6005h. It is not possible to switch off the scaling function.

Count direction is positive: increasing position values when you pull out the wire.

Counting direction is negative: falling position values when you pull out of the wire.

Note:

After you switch the count direction from negative to positive, a desired calibration value must be sent again.

4.8.2.31 6002h: Total number of measuring steps

Object 6002h specifies the total number of measurement steps of the system

Subindex	00h
Description	Total number of measuring steps
Access	rw
PDO mapping	No
Data type	UNSIGNED 32
Default	73840d (00012070h)
EEPROM	Yes

4.8.2.32 6003h: Preset value (calibration value)

This object is not used. Cf. Object [6010h](#).)

4.8.2.33 6004h: Position value

This object is not used. Cf. Object [6020h: Position value](#)

4.8.2.34 6005h: Resolution

The resolution is specified by object 6005h.

Subindex	00h
Description	Displays the largest supported subindex
Access	ro
PDO mapping	No
Data type	UNSIGNED 8
Default	2h
EEPROM	No

Subindex	01h
Description	Resolution of the linear sensor. According to CiA 406, the parameter must be specified in multiples of nm.
Access	rw
PDO mapping	No
Data type	UNSIGNED 32
Default	100000d (00002710h)
EEPROM	Yes
Data content	100000d (00002710h)

Subindex	02h
Description	Increment of the speed of the linear sensor. According to CiA 406, the parameter must be specified in multiples of 0.01 mm/s.
Access	rw
PDO mapping	No
Data type	UNSIGNED 32
Default	100d (64h)
EEPROM	Yes
Data content	100d (64h)

4.8.2.35 600Ch: Raw value position

The object 600Ch indicates the current raw value of the position of the device.

Subindex	00h
Description	Raw value (raw value of position)
Access	ro
PDO mapping	Yes
Data type	UNSIGNED 32
Default	0h
EEPROM	No

4.8.2.36 6010h: Preset value (calibration value))

The position value of the encoder for calibration to a calibration value can be set via object 6010h. Position value = measurement value + calibration value

Subindex	00h
Description	Displays the largest supported subindex
Access	ro
PDO mapping	No
Data type	UNSIGNED 8
Default	1h
EEPROM	No

Subindex	01h
Description	Calibration value
Access	ro
PDO mapping	No
Data type	SIGNED 32
Default	0h
EEPROM	Yes
Data content	-73839d...73839d (FFFE91h...0001206Fh)

4.8.2.37 6020h: Position value

Object 6020h indicates the current position value of the encoder.

Subindex	00h
Description	Displays the largest supported subindex
Access	ro
PDO mapping	No
Data type	UNSIGNED 8
Default	1h
EEPROM	No

Subindex	01h
----------	-----

Description	Position value
Access	ro
PDO mapping	No
Data type	SIGNED 32
Default	0h
EEPROM	No

Position value = measurement value + calibration value

4.8.2.38 6030h: Speed

The speed can be read via object 6030h.

Subindex	00h
Description	Displays the largest supported subindex
Access	ro
PDO mapping	No
Data type	UNSIGNED 8
Default	1h
EEPROM	No

Subindex	01h
Description	Speed value in mm/s
Access	ro
PDO mapping	No
Data type	SIGNED 16
Default	0h
EEPROM	No

4.8.2.39 6031h: Speed parameter

Settings for the speed can be made by the object 6031h.

Subindex	00h
Description	Displays the largest supported subindex
Access	ro
PDO mapping	No
Data type	UNSIGNED 8
Default	4h
EEPROM	No

Subindex	01h
Description	Speed source selector

Access	rw
PDO mapping	No
Data type	UNSIGNED 8
Default	02h
EEPROM	Yes
Data content	02h: Object 600C position raw value is used

Subindex	02h
Description	Integration time of speed
Access	ro
PDO mapping	No
Data type	UNSIGNED 16
Default	64h
EEPROM	Yes
Data content	64h: 100 ms C8h: 200 ms

Subindex	03h
Description	Multiplier
Access	rw
PDO mapping	No
Data type	UNSIGNED 16
Default	01h
EEPROM	Yes
Data content	01h

Subindex	04h
Description	Divisor
Access	rw
PDO mapping	No
Data type	UNSIGNED 16
Default	01h
EEPROM	Yes
Data content	01h

4.8.2.40 6100h: Safety configuration parameters of the position

Settings for the position and its transmission can be made by the object 6100h.

Subindex	00h
Description	Displays the largest supported subindex
Access	ro

PDO mapping	No
Data type	UNSIGNED 8
Default	2h
EEPROM	No

Subindex	01h	
Description	Safety counting direction	
Access	rw (write only in NMT pre-operational state)	
PDO mapping	No	
Data type	UNSIGNED 16	
Default	0000h	
EEPROM	Yes	
Data content	Bit 15 ... 4	Not used
	Bit 3	0: Counting direction of increasing values 1: Counting direction of decreasing values
	Bit 2 ... 0	Not used

4.8.2.41 6101h: Safety configuration parameters of the speed

Settings for the speed and its transmission can be made by the object 6101h.

Subindex	00h
Description	Displays the largest supported subindex
Access	ro
PDO mapping	No
Data type	UNSIGNED 8
Default	7h
EEPROM	No

Subindex	01h	
Description	Safety counting direction	
Access	rw (write only in NMT pre-operational state)	
PDO mapping	No	
Data type	UNSIGNED 16	
Default	0000h	
EEPROM	Yes	
Data content	Bit 15 ... 4	Not used
	Bit 3	0: Counting direction of increasing values 1: Counting direction of decreasing values
	Bit 2 ... 0	Not used

Subindex	04h
----------	-----

Description	Safety speed source selector
Access	rw (write only in NMT pre-operational state)
PDO mapping	No
Data type	UNSIGNED 8
Default	02h
EEPROM	Yes
Data content	02h: Object 600C position raw value is used

Subindex	05h
Description	Safety integration time of speed
Access	rw (write only in NMT pre-operational state)
PDO mapping	No
Data type	UNSIGNED 16
Default	64h
EEPROM	Yes
Data content	64h: 100 ms C8h: 200 ms

Subindex	06h
Description	Safety multipliern
Access	rw (write only in NMT pre-operational state)
PDO mapping	No
Data type	UNSIGNED 16
Default	01h
EEPROM	Yes
Data content	01h

Subindex	07h
Description	Safety divisor
Access	rw (write only in NMT pre-operational state)
PDO mapping	No
Data type	UNSIGNED 16
Default	01h
EEPROM	Yes
Data content	01h

4.8.2.42 6102h: Safety preset value (safety calibration value)

The safety position value of the encoder for safety calibration can be set to a safety calibration value via object 6102h. Safety position value = measured value + safety calibration value.

Subindex	00h
Description	Displays the largest supported subindex
Access	ro
PDO mapping	No
Data type	UNSIGNED 8
Default	1h
EEPROM	No

Subindex	01h
Description	Safety calibration value
Access	ro
PDO mapping	No
Data type	SIGNED 32
Default	0h
EEPROM	Yes
Data content	-73839d...73839d (FFFEF91h...0001206Fh)

4.8.2.43 6126h: Safety speed value

The speed value can be read via object 6126h.

Subindex	00h
Description	Displays the largest supported subindex
Access	ro
PDO mapping	No
Data type	UNSIGNED 8
Default	1h
EEPROM	No

Subindex	01h
Description	Safety speed value in mm/s
Access	ro
PDO mapping	No
Data type	SIGNED 16
Default	0h
EEPROM	No

4.8.2.44 6127h: Safety inverted speed value

The inverted speed value can be read via object 6127h.

Subindex	00h
Description	Displays the largest supported subindex
Access	ro
PDO mapping	No
Data type	UNSIGNED 8
Default	1h
EEPROM	No

Subindex	Safety speed value byte 1
Description	Safety inverted speed value
Access	ro
PDO mapping	No
Data type	SIGNED 16
Default	FFFFh
EEPROM	No

4.8.2.45 6128h: Safety position value

The position value can be read via object 6128h.

Subindex	00h
Description	Displays the largest supported subindex
Access	ro
PDO mapping	No
Data type	UNSIGNED 8
Default	1h
EEPROM	No

Subindex	01h
Description	Safety position value
Access	ro
PDO mapping	No
Data type	SIGNED 32
Default	0h
EEPROM	No

4.8.2.46 6129h: Safety inverted position value

The inverted position value can be read via object 6129h.

Subindex	00h
Description	Displays the largest supported subindex

Access	ro
PDO mapping	No
Data type	UNSIGNED 8
Default	1h
EEPROM	No

Subindex	01h
Description	Safety inverted position value
Access	ro
PDO mapping	No
Data type	SIGNED 32
Default	FFFFFFFFh
EEPROM	No

4.8.2.47 61FEh: Safety application configuration

The configuration of position and speed can be switched to valid by the object 61FEh.

Subindex	00h
Description	This parameter is automatically set to invalid after a parameter in object 6100h, 6101h or 6102h has been changed and must be set to valid again via this object. Switching to valid is only possible if the correct signatures are entered in object 61FFh.
Access	rw
PDO mapping	No
Data type	UNSIGNED 8
Default	0h
EEPROM	Yes
Data content	A5h: Position and speed configuration valid 00h...A4h and A6h...FFh: Configuration not valid

4.8.2.48 61FFh: Safety application configuration signature (checksum)

This object 61FFh contains the signatures (checksums) via the CANopen Safety parameters of the configuration for position and speed. Only a checksum valid at the time can be transferred. Before the configuration is set to valid, the checksum is checked again. Only then does a change in the configuration become valid.

Subindex	00h
Description	Displays the largest supported subindex
Access	ro
PDO mapping	No
Data type	UNSIGNED 8
Default	2h

EEPROM	No
--------	----

Subindex	01h				
Description	Signature position (checksum)				
Access	rw				
PDO mapping	No				
Data type	UNSIGNED 16				
Default	0000h				
EEPROM	Yes				
Data content	The checksum CRC-16-CCITT is calculated using the contents of the objects 6100h (cf. chapter 4.5.3) and 6102h (cf. chapter 4.8.2.42).				
	Object	Subindex	Name	Size	Value
	6100h	Safety configuration of the position parameters			
		00h	Highest sub-index	1 byte	01h
		01h	Subindex	1 byte	01h
		01h	Safety counting direction	2 byte	Object 6100h Subindex 01h
	6102h	Safety preset value (safety calibration value)			
		00h	Highest sub-index	1 byte	01h
		01h	Subindex	1 byte	01h
		01h	Safety preset value (calibration value)	4 byte	Object 6102h Subindex 01h

Subindex	02h				
Description	Signature speed (checksum)				
Access	rw				
PDO mapping	No				
Data type	UNSIGNED 16				
Default	0000h				
EEPROM	Yes				
Data content	The checksum CRC-16-CCITT is calculated using the contents of the objects 6101h (cf. chapter 4.5.3) and 6102h (cf. chapter 4.8.2.42).				
	Object	Subindex	Name	Size	Value
	6101h:	Safety configuration of the speed parameters			
		00h	Highest sub-index	1 byte	07h
		01h	Subindex	1 byte	01h
		01h	Safety counting direction	2 byte	Object 6101h Subindex 01h
	6102h	Safety preset value (safety calibration value)			
		00h	Highest sub-index	1 byte	01h
		01h	Subindex	1 byte	01h

	01h	Safety preset value (calibration value)	4 byte	Object 6102h Subindex 01h
	6101h	Safety configuration of the speed parameters		
	04h	Subindex	1 byte	04h
	04h	Safety speed source selector	1 byte	Object 6101h Subindex 04h
	05h	Subindex	1 byte	05h
	05h	Safety integration time of speed	2 byte	Object 6101h Subindex 05h
	06h	Subindex	1 byte	06h
	06h	Safety multiplier	2 byte	0001h
	07h	Subindex	1 byte	07h
	07h	Safety divisor	2 byte	0001h

4.8.2.49 6200h: Cycle Timer

Object 6200h sets a cycle time, with which the PDO1 is to be output. This value is firmly linked to the object [1800h 1. Transmit PDO Parameter](#) subindex 05h. The timer-controlled output is active as soon as a valid cycle time is entered and the device is operated in operational mode. The value 0h deactivates the function.

Subindex	00h
Description	Cycle Timer
Access	rw
PDO mapping	No
Data type	UNSIGNED 16
Default	0h
EEPROM	Yes
Data content	0d ... 65535d (0h...FFFFh)

4.8.2.50 6400h: Work area (area state register)

Object 6400h indicates whether the position value is within the set working ranges 1 and 2

Subindex	00h
Description	Displays the largest supported subindex
Access	ro
PDO mapping	No
Data type	UNSIGNED 8
Default	2h
EEPROM	No

Subindex	01h
Description	State of work area 1

Access	ro	
PDO mapping	No	
Data type	UNSIGNED 8	
Default	0h	
EEPROM	No	
Data content	Bit 7 ... 3	Not used
	Bit 2	0: Position value is within the work area 1: Position value is smaller than the set limit value in object 6401.1h
	Bit 1	0: Position value is within the work area 1: Position value is greater than the set limit value in object 6402.1h
	Bit 0	0: Position value is within the set work area 1: Position value is outside of the set work area

Subindex	02h	
Description	State of work area 2	
Access	ro	
PDO mapping	No	
Data type	UNSIGNED 8	
Default	0h	
EEPROM	No	
Data content	Bit 7 ... 3	Not used
	Bit 2	0: Position value is within the work area 1: Position value is smaller than the set limit value in object 6401.2h
	Bit 1	0: Position value is within the work area 1: Position value is greater than the set limit value in object 6402.2h
	Bit 0	0: Position value is within the set work area 1: Position value is outside of the set work area

4.8.2.51 6401h: Work Area Low Limit

A lower limit value for one of the two working areas can be set via object 6401h.

Subindex	00h
Description	Displays the largest supported subindex
Access	ro
PDO mapping	No
Data type	UNSIGNED 8
Default	2h
EEPROM	No

Subindex	01h
Description	Lower limit value of work area 1
Access	rw
PDO mapping	No
Data type	SIGNED 32
Default	-147678d(FFFDBF22h)
EEPROM	Yes
Data content	-147678d(FFFDBF22h)...221517d(0003614Dh)

Subindex	02h
Description	Lower limit value of work area 2
Access	rw
PDO mapping	No
Data type	SIGNED 32
Default	-147678d(FFFDBF22h)
EEPROM	Yes
Data content	-147678d(FFFDBF22h)...221517d(0003614Dh)

4.8.2.52 6402h: Work Area High Limit

A higher limit value for one of the two working areas can be set via object 6402h.

Subindex	00h
Description	Displays the largest supported subindex
Access	ro
PDO mapping	No
Data type	UNSIGNED 8
Default	2h
EEPROM	No

Subindex	01h
Description	Higher limit value of work area 1
Access	rw
PDO mapping	No
Data type	SIGNED 32
Default	221517d(0003614Dh)
EEPROM	Yes
Data content	-147678d(FFFDBF22h)...221517d(0003614Dh)

Subindex	02h
Description	Higher limit value of work area 2

Access	rw
PDO mapping	No
Data type	SIGNED 32
Default	221517d(0003614Dh)
EEPROM	Yes
Data content	-147678d(FFFDBF22h)...221517d(0003614Dh)

4.8.2.53 6500h: Operating Status

The object 6500h indicates the settings programmed with object 6000h.

Subindex	00h	
Description	Operating Status	
Access	ro	
PDO mapping	No	
Data type	UNSIGNED 16	
Default	4h	
EEPROM	No	
Data content	Bit 15 ... 4	Not used
	Bit 3	0: Counting direction of increasing values 1: Counting direction of decreasing values
	Bit 2	1: Release scaling
	Bit 1	Not used
	Bit 0	Not used

4.8.2.54 6501h: Single-turn resolution

Object 6501h specifies the physical number of measuring steps per revolution.

Subindex	00h
Description	Physical resolution
Access	ro
PDO mapping	No
Data type	UNSIGNED 32
Default	100000d (00002710h)
EEPROM	No

4.8.2.55 6502h: Number of distinguishable revolutions

Object 6502h specifies the number of revolutions that the encoder can record.

Subindex	00h
Description	Physical resolution
Access	ro

PDO mapping	No
Data type	UNSIGNED 16
Default	1
EEPROM	No

4.8.2.56 6503h: Alarms

In addition to the errors that are reported via the emergency message, object 6503h provides additional device-specific alarm messages. In the event of an error, the corresponding bit is set to 1.

Subindex	00h	
Description	Alarm messages	
Access	ro	
PDO mapping	No	
Data type	UNSIGNED 16	
Default	0h	
EEPROM	No	
Data content	Bit 15 ... 14	Not used
	Bit 13	0: Position value within the working range 2 1: Position limit value 2 exceeded or fallen below (work area 2)
	Bit 12	0: Position value within the working range 1 1: Position limit value 1 exceeded or fallen below (work area 1)
	Bit 11 ... 1	Not used
	Bit 0	0: Position value valid 1: Position value invalid

4.8.2.57 6504h: Supported Alarms

This object 6504h indicates which alarm messages are supported. The corresponding bits are set.

Subindex	00h	
Description	Supported alarm messages	
Access	ro	
PDO mapping	No	
Data type	UNSIGNED 16	
Default	3001h	
EEPROM	No	
Data content	Bit 15 ... 14	Not used
	Bit 13	Position limit value 2 errors
	Bit 12	Position limit value 1 error
	Bit 11 ... 1	Not used

	Bit 0	Position error
--	-------	----------------

4.8.2.58 6505h: Warnings

Warning messages can be output via object 6505h. In the case of a warning message, the position value can still be valid unlike in the case of an alarm message.

Subindex	00h	
Description	Warnings	
Access	ro	
PDO mapping	No	
Data type	UNSIGNED 16	
Default	0h	
EEPROM	No	
Data content	Bit 0 ... 15	Not used

4.8.2.59 6506h: Supported Warnings

Object 6506h indicates which warning messages are supported.

Subindex	00h	
Description	Supported warnings	
Access	ro	
PDO mapping	No	
Data type	UNSIGNED 16	
Default	0000h	
EEPROM	No	
Data content	Bit 0 ... 15	Not used

4.8.2.60 6507h: Profile and Software Version

The object 6507h displays the used encoder profile (CANopen device profiles for encoders) and the firmware version number.

Subindex	00h			
Description	Profile and Software Version			
Access	ro			
PDO mapping	No			
Data type	UNSIGNED 32			
Default	01000302h			
EEPROM	No			
Data content	Profile version		Software version	
	Byte 0 (LSB)	Byte 1	Byte 2	Byte 3 MSB
	02h	03h	01h	00h

4.8.2.61 6508h: Operating Time

The operating hours can be displayed via object 6508h. This function is not supported.

Subindex	00h
Description	Operation hours counter
Access	ro
PDO mapping	No
Data type	UNSIGNED 32
Default	FFFFFFFFh
EEPROM	No

4.8.2.62 6509h: Offset value

Object 6509h specifies the difference between the encoder value and the scaled position value calculated with the calibration value.

Subindex	00h
Description	Encoder states at the time of calibration
Access	ro
PDO mapping	No
Data type	SIGNED 32
Default	0h
EEPROM	Yes

4.8.2.63 650Ah: Module identification

Object 650Ah specifies the manufacturer-specific offset value as well as the smallest and largest transferable position value

Subindex	00h
Description	Displays the largest supported subindex
Access	ro
PDO mapping	No
Data type	UNSIGNED 8
Default	3h
EEPROM	No

Subindex	01h
Description	Manufacturer-specific offset value
Access	ro
PDO mapping	No
Data type	SIGNED 32
Default	0h
EEPROM	No

Subindex	02h
Description	Smallest transferable position value
Access	ro
PDO mapping	No
Data type	SIGNED 32
Default	-147678d(FFFDBF22h)
EEPROM	No

Subindex	03h
Description	Largest transferable position value
Access	ro
PDO mapping	No
Data type	SIGNED 32
Default	221517d(0003614Dh)
EEPROM	No

4.8.2.64 650Bh: Serial number

Object 650Bh supplies the serial number of the encoder.

Subindex	00h
Description	Serial number
Access	ro
PDO mapping	No
Data type	UNSIGNED 32
Default	0h
EEPROM	Yes

4.8.2.65 650Ch: Offset value for multi-sensor device

Object 650C9h specifies the difference between the encoder value and the scaled position value calculated with the calibration value (equivalent to object [6509h: Offset value](#)).

Subindex	00h
Description	Displays the largest supported subindex
Access	ro
PDO mapping	No
Data type	UNSIGNED 8
Default	1h
EEPROM	No

Subindex	01h
Description	Offset value
Access	ro
PDO mapping	No
Data type	SIGNED 32
Default	0h
EEPROM	Yes

4.8.2.66 650Eh: Device functionality

The object 650Eh provides information about the device functionality.

Subindex	00h	
Description	Device functionality	
Access	ro	
PDO mapping	No	
Data type	UNSIGNED 32	
Default	CANopen Safety: 0022h (Class 2 + CANopen Safety)	
EEPROM	No	
Data content	Bit 15 ... 8	Not used
	Bit 7 ... 6	00: CANopen Safety: 01 ... 11: not used
	Bit 5	0: Safety is not supported 1: Safety is supported
	Bit 4	Not used
	Bit 3	0: normal resolution 1: high resolution
	Bit 2 ... 0	000, reserved 001: Class C1 010: Class C2 011: Class C3