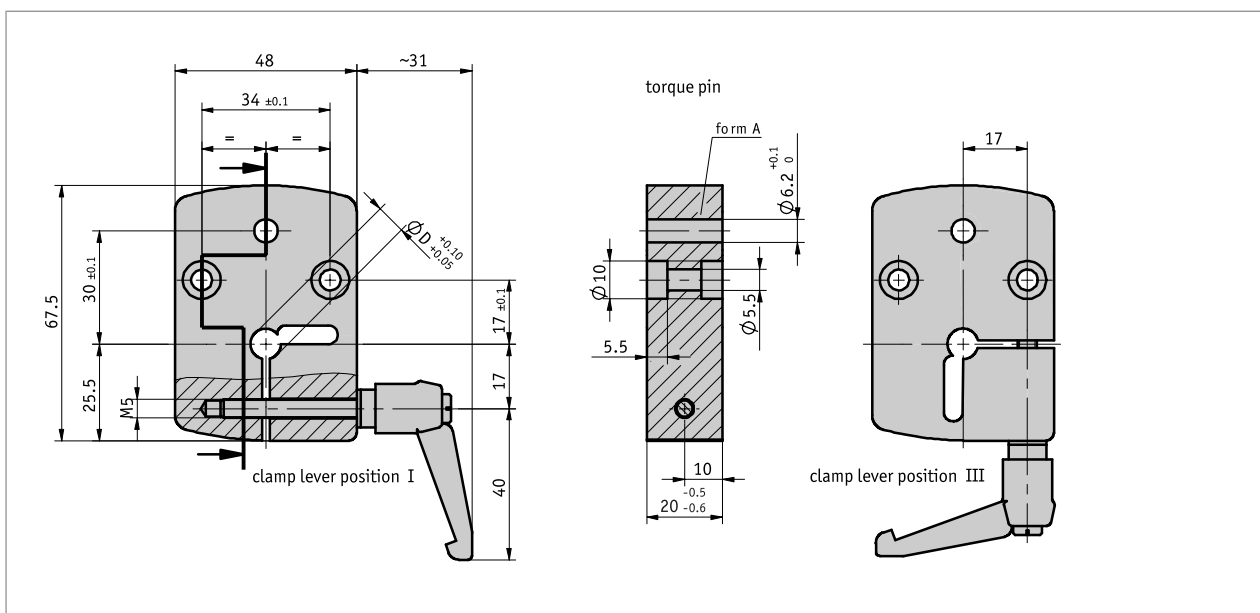


# Clamping plate KP09

Accessory for position indicator DA09S

## Profile

- For shaft diameters 8 ... 20 mm
- Selectable clamp lever position
- Easy mounting and retrofitting



## Mechanical data

Feature	Technical data	Additional information
Housing	anodized aluminum	
Clamping lever	plastic, engaging	

## Order

### Ordering table

Feature	Ordering data	Spezifikation	Additional information
bore/diameter	A ...	8, 10, 12, 14, 15, 16, 18, 20 in mm others on request	
clamp lever/position	B I III	position I position III	

### Order key

KP09 -  -  -