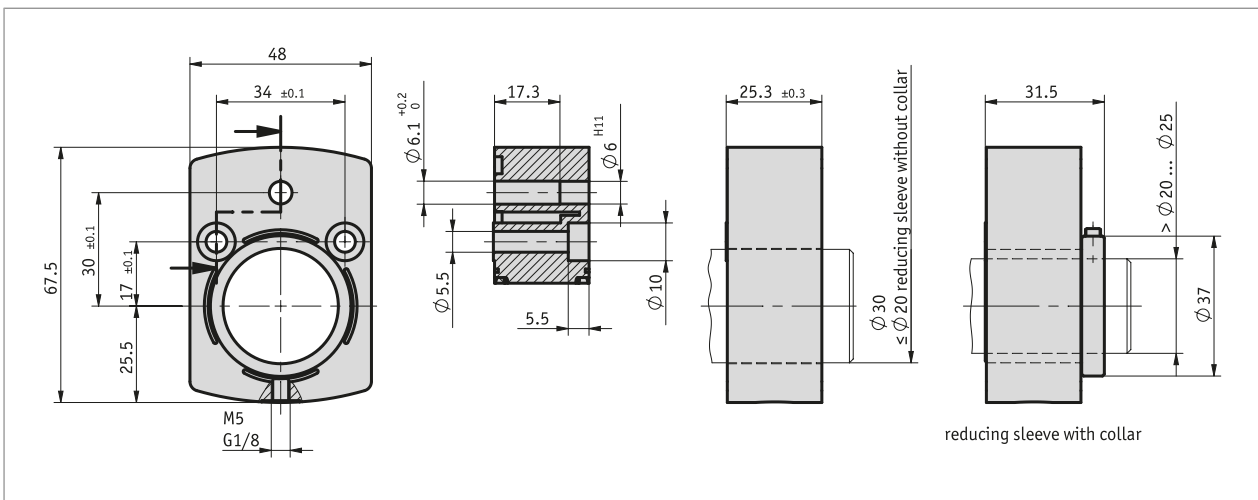


Profile

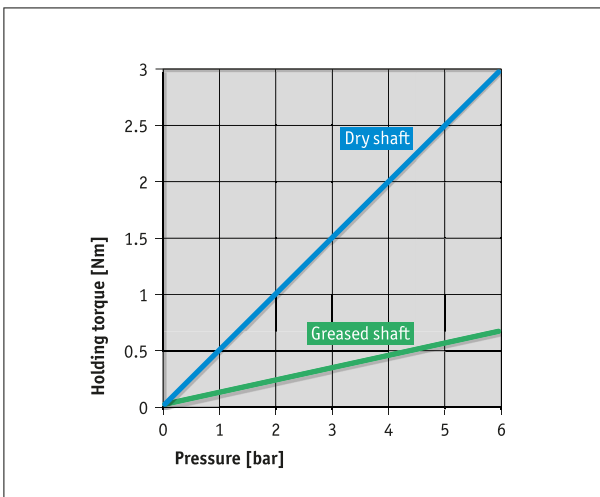
- Pneumatic clamping plate for shaft clamping
- Selectable sizes of the compressed-air connection
- Easy mounting and retrofitting



Mechanical data

Feature	Technical data	Additional information
Housing	zinc die-cast	
Weight	~0.25 kg	

■ Achievable holding torque



Order

■ Ordering table

Feature	Ordering data	Spezifikation	Additional information
bore/diameter	A 30 ...	ø30 mm	reducing bushes
		RH14, RH20, RH25 others on request	
compressed air connection	B G1/8 M5	G1/8 thread	
		M5 thread	

■ Order key

KP09P - -

 **Scope of delivery:**
KP09P