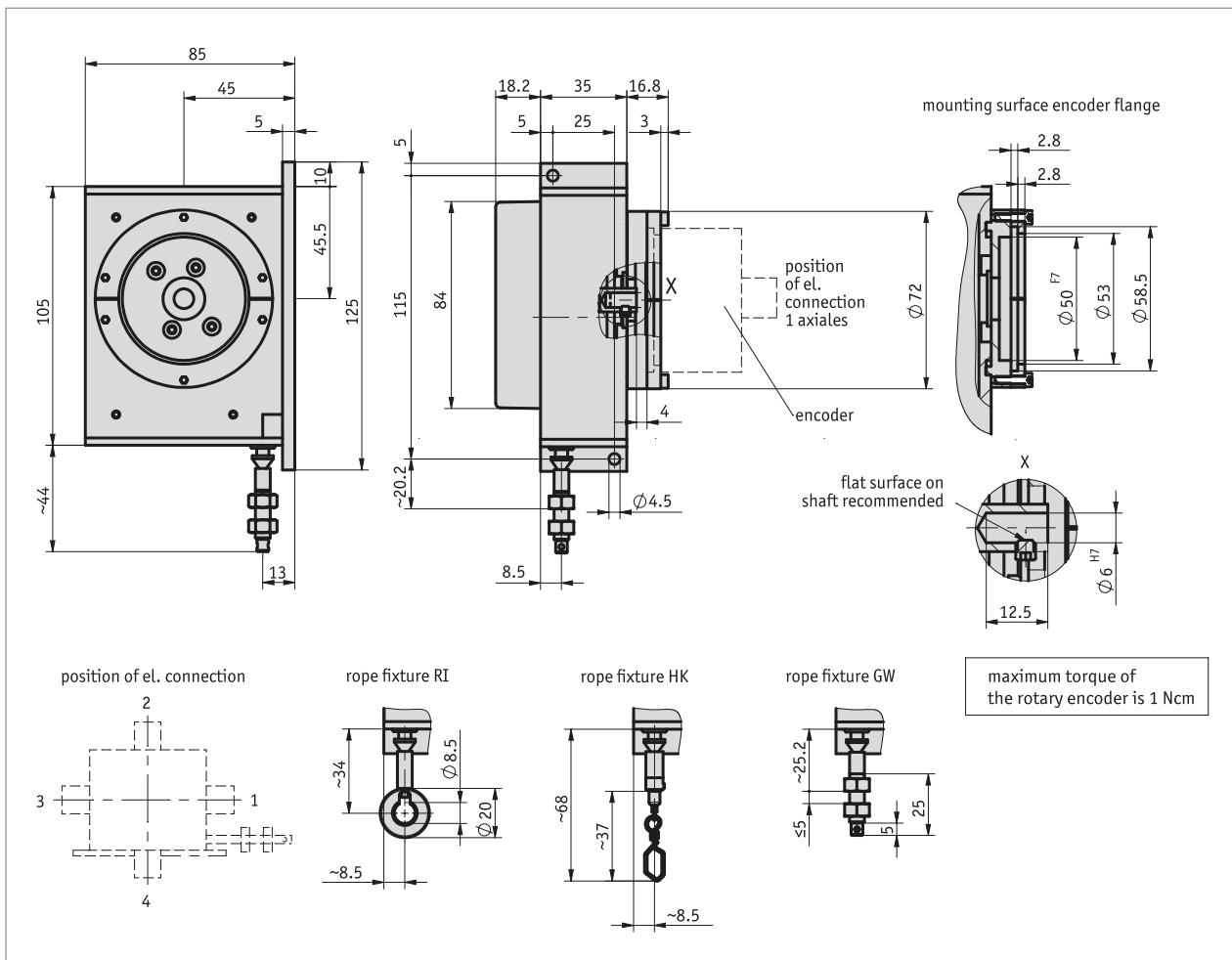
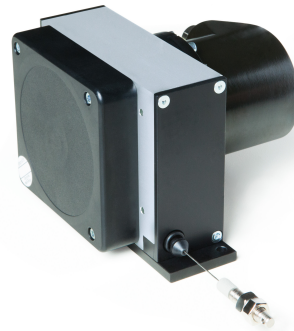


Draw-wire encoder SG61

robust design with 6000 mm measurement length

Profile

- Robust design
- Easy mounting
- Measurement lengths up to max. 6000 mm
- Flexible wire outlet thanks to Wire-Flex technology
- Incremental or absolute encoder
- Also available as a safety version in combination with WV58MR rotary encoder
- High flexibility thanks to free choice of rotary encoders with 58 mm standard flange
- Various wire types
- with PURE.MOBILE technology



Mechanical data

Feature	Technical data	Additional information
Housing	aluminum/plastic	
Wire design	∅0.6 mm	rustproof stainless steel
	∅0.6 mm	rustproof stainless steel, plastic-coated
	∅0.6 mm	para-line
Extension force	≥8 N	on the rope
Measured distance/ rope drum revolution	200 mm	
Absolute accuracy	±0.1 %	from the upper range value, mechanical
Acceleration	≤23.5 m/s ²	

System data

Feature	Technical data	Additional information
Repeat accuracy	±0.15 mm	unidirectional, mechanical
Measuring range	≤6000 mm	
Travel speed	≤3000 mm/s	at working temperature T1

Ambient conditions

Feature	Technical data	Additional information
Ambient temperature	-20 ... 80 °C	T1
	-40 ... 80 °C	T2 (drawing-in speed ≤800 mm/s)
Protection category		depending on the rotary encoder installed
Shock resistance	500 m/s ² , 11 ms	EN 60068-2-27
Vibration resistance	100 m/s ² , 5 ... 150 Hz	EN 60068-2-6

Rotary encoders that can be combined with this wire-actuated encoder

You can find suitable rotary encoders on our website www.siko-global.com. They are suitable ...

- for analog outputs such as current or voltage: AV3650M, AV58M
- for incremental outputs: IV5800
- for absolute outputs: WV58MR, WV5800M, WV5850, WV3650M, WV36M/CAN

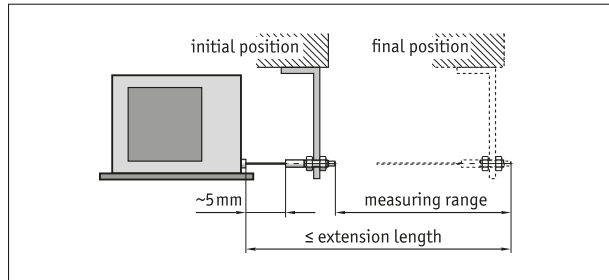
SIKO rotary encoders have the following interfaces, among others: incremental, SSI, CANopen, CANopen Safety, SAE J1939, various fieldbus protocols

The technical specifications for these devices can be found in the respective data sheets. In addition, numerous encoder variants from different manufacturers can be used.

Hint for mounting

When securing the wire it must be ensured that the wire is straight and vertical in relation to the wire outlet.

Recommendation: Only select the starting position after an unwound length of approx. 5 mm. This prevents the wire hitting the end stop when it is rewound.



Symbolic representation

Order

■ Ordering information

One or more system components are required:

Incremental encoder IV5800	www.siko-global.com
Absolute encoder AV58M	www.siko-global.com
Absolute encoder WV3650M	www.siko-global.com
Absolute encoder WV36M/CAN	www.siko-global.com
Absolute encoder WV5800M	www.siko-global.com
Absolute encoder WV5850	www.siko-global.com
Absolute encoder WV58MR	www.siko-global.com

■ Ordering table

Feature	Ordering data	Spezifikation	Additional information
Measuring range	A ...	3000, 4000, 5000, 6000 in mm	
rope fixture	B GW HK RI	wire suspension with thread wire suspension with hook wire suspension with ring	
wire design	C S SK P	stainless steel wire steel wire, plastic coated para-line	Measurement range ≤5000 mm
encoder type	D OG6 S6	without encoder great number of encoders possible	
position of electrical connection	E 1 2 3 4 0	direction of wire outlet or axial upward opposite the wire outlet downward without encoder	depending on the mounted encoder
operating temperature	F T1 T2	-20° C ... +80° C -40° C ... +80° C	

■ Order key



 Scope of delivery: SG61, Quick Start Guide
 Accessories you can find: Guide roller UR www.siko-global.com Wire extension piece SV www.siko-global.com