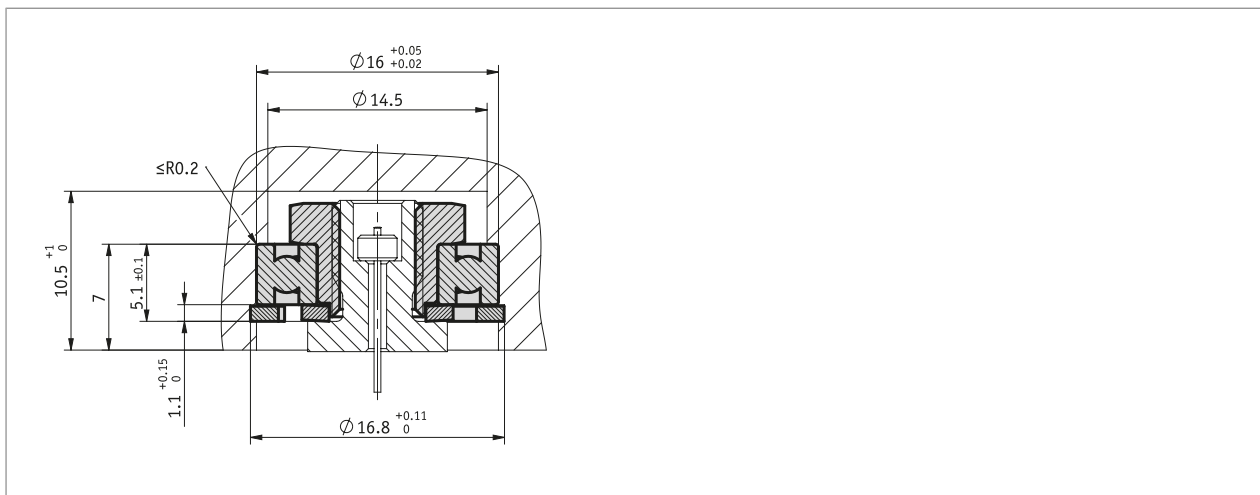
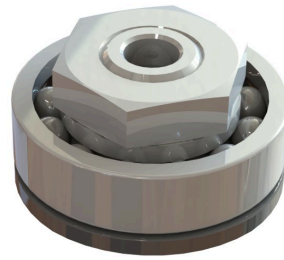


### Profile

- to compensate for the rotary movement of the piston head in piston accumulators or hydraulic cylinders
- suitable for speed and position capturing
- for wire-actuated encoders in the SGH series



### Mechanical data

Feature	Technical data	Additional information
Material	rustproof stainless steel	nut
	hardened steel	deep-groove ball bearing
	spring steel	retaining washer

### Order

- Order key

ZB4009