



Automation for a Changing World

Delta Articulated Robots DRV Series



www.deltaww.com

 **DELTA**
Smarter. Greener. Together.

Smart Robots for Industry Upgrades

In this age of smart automation for production lines and factories, industrial robots are applied to accomplish dangerous tasks, save manpower cost, improve flexibility for manufacturing and shorten operation time.

Delta's latest articulated robots DRV Series with robot controller DCV Series facilitate smooth integration with other Delta peripheral devices to establish simple and easy-to-operate systems for robot control. Delta's highly integrated robot workstations enable excellent production efficiency and reduce labor costs.

With excellent flexibility, the 6-axis articulated robots have two different working ranges to meet a variety of application demands. The robots can be widely used in industries such as 3C, electronics and electrical engineering, metal processing, rubber and plastics, as well as applications including inspection, assembling, glue dispensing, machine tending, packaging, soldering, and load/ unload. Delta's DRV Series is your best partner for moving towards Industry 4.0.

High Flexibility

Hollow Wrist

Multiple Installations

User-Friendly Interface

Easy-to-Operate

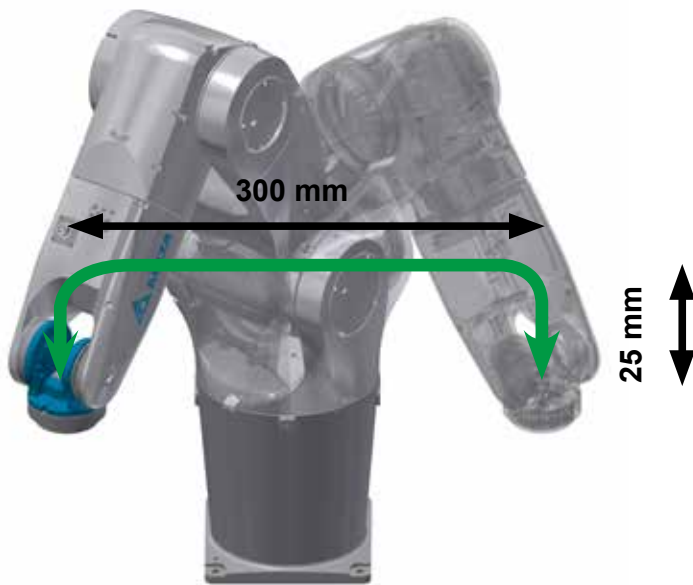


Table of Contents

1	Introduction
3	Product Features
7	Product Specifications
	DRV Series
	DCV Series
	DTV Series
10	Model Introduction
10	Dimensions - DRV Series
	Range of Motion
	External Dimensions and Mounting Holes
14	Dimensions - DCV Series
15	Robot Controller Interface DRV Series
15	Applications
16	Ordering Information
18	Optional Accessories

Product Features

Excellent Speed & Repeatability



Fixed Distance (300mm / 25mm)

Model	Payload (kg)	C/T (sec)
DRV70L Series	1 kg	0.32 sec
DRV90L Series	1 kg	0.35 sec
DRVA1L Series	1 kg	0.48 sec
DRVA4L Series	1 kg	0.54 sec

Hollow-wrist Design for Cable Routing

Non-hollow Design:
Tangled cables hinder robot operation



Hollow Design:
Enhanced cable reliability

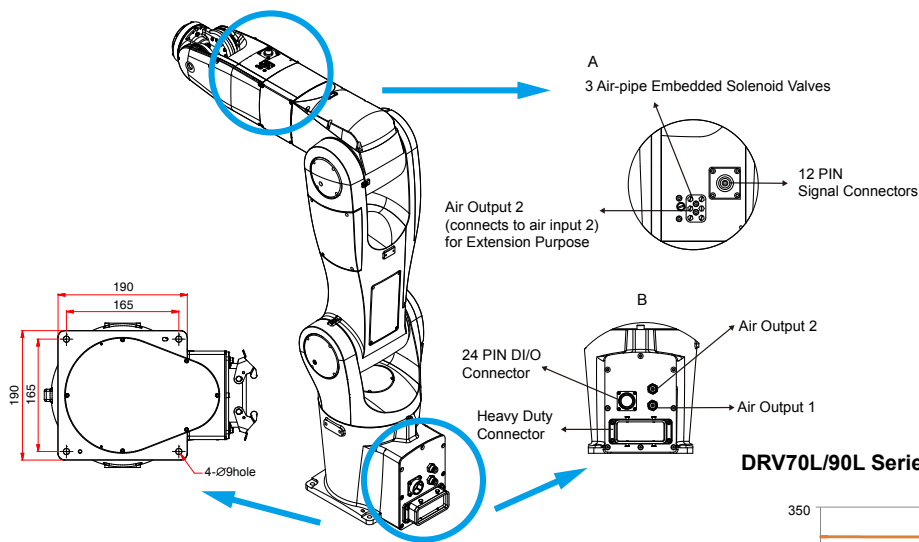


Table-top, Ceiling-mount, and Wall-mount Installations

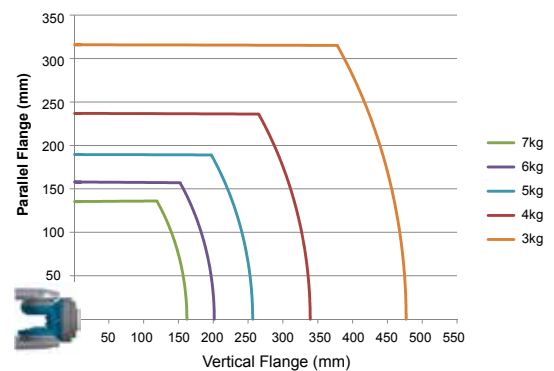
High installation flexibility fulfills production line demands and enhances efficiency



Compact Design for Easy Installation and Fast Production Line Application



DRV70L/90L Series Payloads and Center of Gravity Graph



Product Features

User-Friendly Interface



Convenient for Project Management

Instant Feedback Remote Maintenance

Simple Programming Languages

DRASudio Intuitive interfaces



Real-time support via complete customer feedback interface



Categorized projects and models for easy management



Intuitive coding environment with drag and drop functions



Easy-to-Operate

User-defined IO Functions

- Multiple DI/Os for real-time monitoring and operation
- Total system development with external equipment via serial connection



Easy Setup for Fast Integration

- Provides 9 user frames and tool frames



Wide Range of Motion Setting for Enhanced Safety and Reliability



Diversified Motion Commands

Simple Inspection & Quick Maintenance

Optimized Parameter Settings

Product Specifications

DRV Series

Model		DRV70L Series	DRV90L Series	DRVA1L Series	DRVA4L Series
Number of Axes		6			
Max. Working Range		710 mm	900 mm	1,111 mm	1,411 mm
Max. Payload		7 kg			
Motion Range	J1	±170°			
	J2	+133° / -105°	+135° / -105°	+135° / -105°	
	J3	+60° / -205°			
	J4	±190°			
	J5	±120°			
	J6	±360°			
Max. Speed	J1	450° / sec	370° / sec	240° / sec	200° / sec
	J2	340° / sec	260° / sec	220° / sec	165° / sec
	J3	510° / sec	410° / sec	295° / sec	220° / sec
	J4	550° / sec		465° / sec	
	J5	550° / sec		480° / sec	
	J6	820° / sec		705° / sec	
Max. Composite Speed		11,000 mm / sec	10,600 mm / sec	9,400 mm / sec	9,100 mm / sec
Allowable inertia	J4	0.47 kg*m ²			
	J5	0.47 kg*m ²			
	J6	0.15 kg*m ²			
Allowable moment	J4	16.6 Nm			
	J5	16.6 Nm			
	J6	9.4 Nm			
Repeatability		±0.02 mm	±0.03 mm	±0.04 mm	±0.05 mm
Standard Cycle Time ^{*1}		0.32 sec	0.35 sec	0.48 sec	0.54 sec
Installations		Table-top, ceiling-mount, wall-mount ^{*2}			
Built-in Design		With 1 12Pos. circular connector for sensor connections and 2 ø6 pneumatic tubes (one for the embedded 3 sets of solenoid valves, one for extension)			
IP Rating ^{*3}		IP40 (Standard) / IP65 (Optional) ^{*4}		IP65 (Standard)	
Environment	Ambient Temperature	0°C ~ 40°C			
	Humidity	20 ~ 85 %RH			
	Vibration	0.5 G			
Weight		37 kg	39 kg	76 kg	82 kg
Robot Controller		DCV Series			

*1: When carrying a payload of 1kg and reciprocating 25 mm in vertical and 300 mm in horizontal directions, under an operating temperature of 25°C and within a humidity of 45% - 65% RH.

*2: For wall-mount installation, please contact our local sales/distributors.

*3: The environment resistance can be altered for different applications. For special IP standard or wrist models, please contact local sales / distributors.

*4: Please contact local sales / distributors for optional IP65 models

Product Specifications

DCV Series

DCV Series		
Power Supply	Single-phase: 200-230Vac+PE, 50/60Hz, 15A	
Dimensions (W) x (H) x (D) / Weight	383 mm x 223 mm x 406 mm / 22 kg	
Cooling Method	Fan Cooling	
Robot Control	Programming Language	Delta robot language
	Motion Mode	Point-to-point motion, linear interpolation, and circular interpolation
	Memory Capacity	20MB: for programming editor and data users 1K location point is available for global variables (allows it to be shared among different programs) 30K location point is available for all programming editors
Digital Input (DI) / Output (DO)	Standard DI/O	System DI/O : 7 sets of DI, 8 sets of DO User DI/O: 24 sets of DI, 12 sets of DO
Communication Interface	Ethernet	One channel, RJ-45
	DMCNET	One channel, RJ-45, connects with Delta DMCNET products
	RS-232 / RS-485	One connecting port, D-sub 9P/Female
	Teach Pendant	One circular connector
	Safety	8 PIN circular connector Provides dual channels for emergency stop and connection with other safety components
	Ext .Encoder	D-sub 37P / Female, provide 1 external encoder feedback signals
	DC Power	3 PIN circular connector, provide DI/O options to meet diverse needs
	Power IN	3 PIN terminal block connector for power supply
	Robot	Multipole connectors / Female
Environment	Installed Location	Indoors (avoid direct sunlight), no corrosive liquid and gas (avoid fumes, flammable gas and dust)
	Altitude	1000m or lower above sea level
	Atmospheric Pressure	86 ~ 106 kPa
	Ambient Temperature	0 ~ 40°C (If ambient temperature is above 45°C, forced cooling will be required)
	Humidity	0 ~ 90% RH (non-condensing)
	Vibration	9.80665 m/s ² (1G) less than 20 Hz, 5.88 m/s ² (0.6G) 20 - 50 Hz
	IP Rating	IP20
	Power System	TN system: A power distribution system having one point directly earthed, the exposed conductive parts of the installation being connected to that point by a protective earth conductor.

Product Specifications

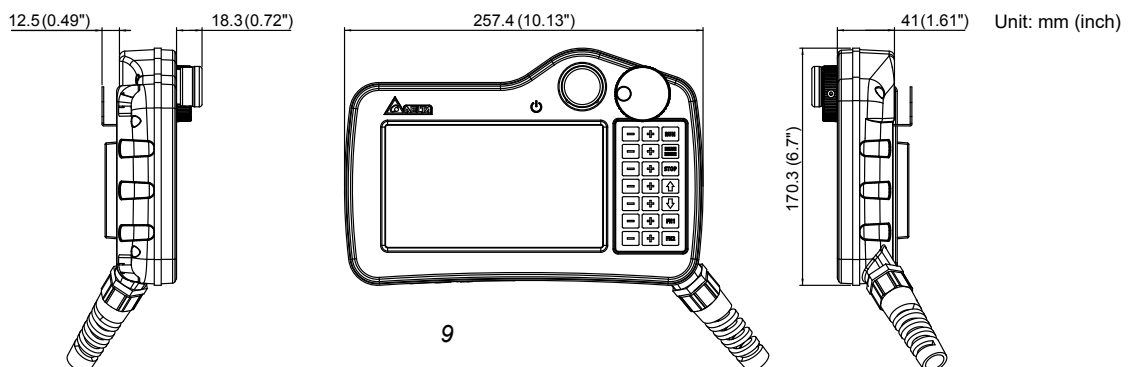
DTV Series

Model		DTV-2FM	DTV-2GM
LCD Display	Panel	7" TFT LCD (65535 colors)	
	Resolution	800 x 480 pixels	
	Backlight	LED Back Light (under temperature 25°C half-life period > 20k hrs) ¹	
	Range	154.08 x 85.92 mm	
Operating System		Delta Real Time OS	
CPU		32-bit RISC micro-controller	
Flash ROM		Flash ROM 128 MB (OS System: 30MB / Backup: 16MB / User Application: 82MB)	
Power-Off Memory		16M bytes ROM, 128K bytes SRAM	
Buzzer		Multi-tone frequency (2K - 4K Hz) / 85dB	
Network Interface		10/100 Mbps auto detection (built-in isolating circuit) ²	
Communication Port		N/A	
Memory Card		SD / SDHC	
USB		1 USB Client Ver 2.0	
Emergency Stop Switch		Standards: IEC60947-5-1, EN60947-5-1, IEC60947-5-5, EN60947-5-5, UL 508, CSA C22.2 No.14, GB 14085.5	
3-Position Operation Switch		Standards: EN/IEC60947-5-8, IEC60947-5-1, EN60947-5-1, JIS C8201-5-1, UL508, CSA C22.2 NO. 14 Applications: ISO12100-1, -2/EN12100-1, -2, IEC60204-1/EN60204-1, ISO11161/prEN11161, ISO10218/EN775, ANSI/RIA R15.06, ANSI B11.19	
MPG		Rated voltage: < DC 24V Resolution: 50(P/R) Output wave: square wave Output phase: A, B A, B phase difference: 90° ± 45° Max. frequency response: 200Hz	
Buttons		21	
Cable Length		5 m	10 m
Calendar		Built-in	
Cooling Method		Natural Cooling	
Safety Approval		CE	
Protection Rating		IP55	
Work Voltage		DC +24V (± 15%) (Supplied by SELV circuits, isolated from MAINS by double insulation)	
Insulation Endurance		AC500V 1 min (between DC24V terminal and FG terminal)	
Power Consumption		5.6W ³	
Backup Battery Life		3V lithium CR2450 × 1	
Backup Battery Life		More than 5 years at 25°C (according to temperature and usage condition)	
Operating Temperature		0°C - 40°C	
Storage Temperature		-10°C - 60°C	
Operating Environment		10% - 90% RH (0 - 40°C), 10% - 55% RH (41 - 50°C); Pollution degree 2	
Vibration Resistance		Conforms to: IEC61131-2; Continuous: 5Hz-8.3Hz 3.5mm, 8.3Hz-150Hz 1G	
Shock Resistance		Conforms to IEC60068-2-27; 11ms, 15G Peak , X, Y, Z direction for 6 times	
Dimensions (W) x (H) x (D) mm		257.4 x 170.3 x 71.8 (with emergency stop switch and hook)	
Weight		750g (without cable)	

*1 Half-life period: Under max. drive current, when the back light's brightness diminishes to half of the max brightness it is defined as the half-life period. The life-time period is estimated under 25°C moist working environment.

*2 Resistance of the isolating circuit: 1500V high voltage surge / 1 min

*3 Without extension of other devices



Model Introduction

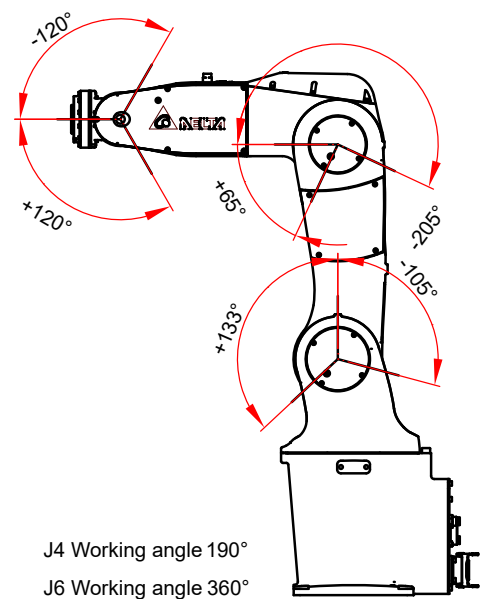
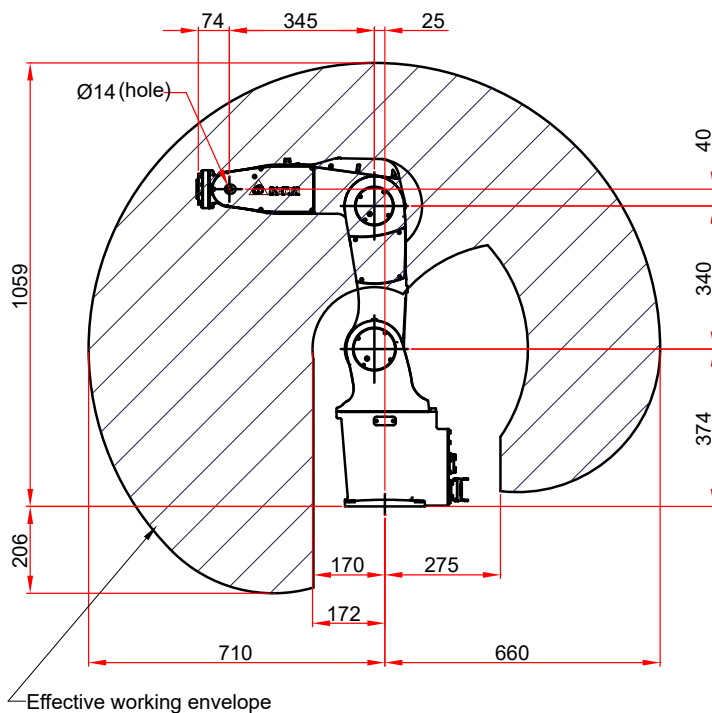
DRV Series

DRV	90	L	7	A	6	3	1	3	N
Company/ Product/ Robot Type	Max. Working Range	Series	Max. Payload	IP Rating	Number of Axes	version	Wiring	Robot Cable	Accessories
D : Delta R : Robot V : Vertical	70 : 710 mm	L : Lite	7 : 7 kg	A : IP40 B : IP65 D:CE/IP40	6 : 6 axes		1 = Standard	3 = 3m	N = No teach pendant
	90 : 900 mm							5 = 5m	
	A1 : 1,111mm								
	A4 : 1,411mm								

Dimensions - DRV Series

Range of Motion

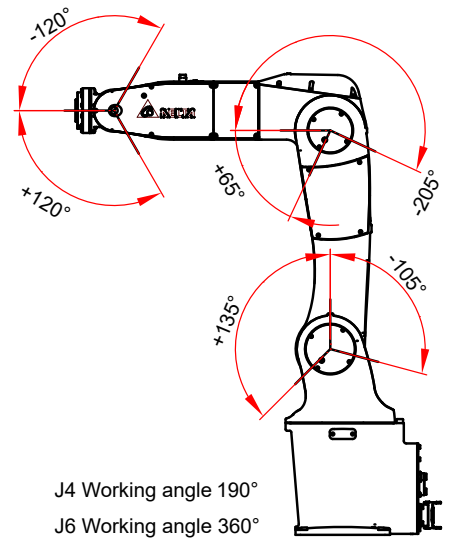
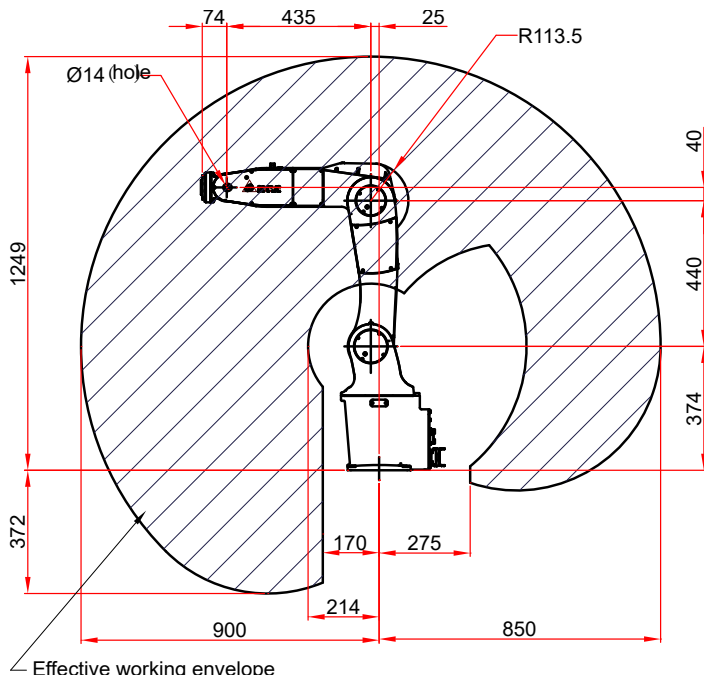
DRV70L Series



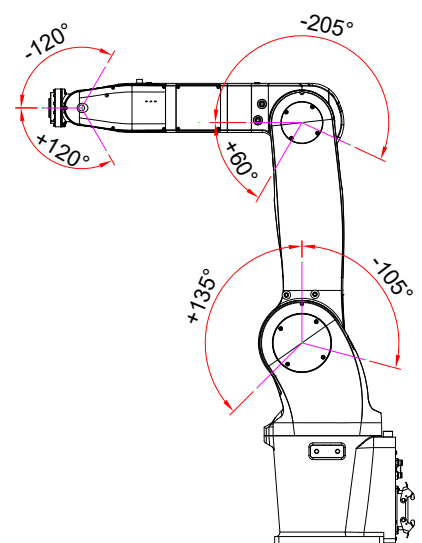
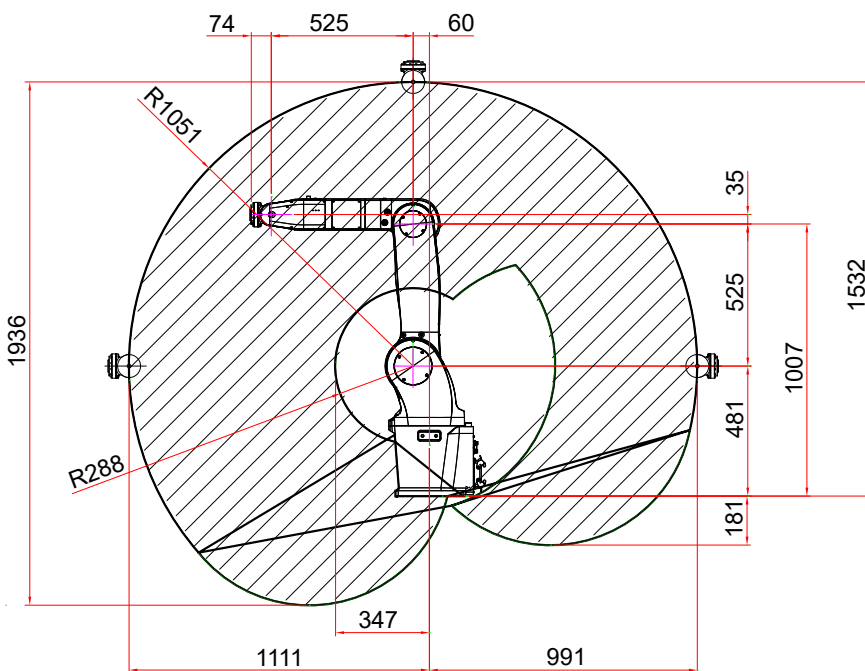
Dimensions - DRV Series

Range of Motion

DRV90L Series



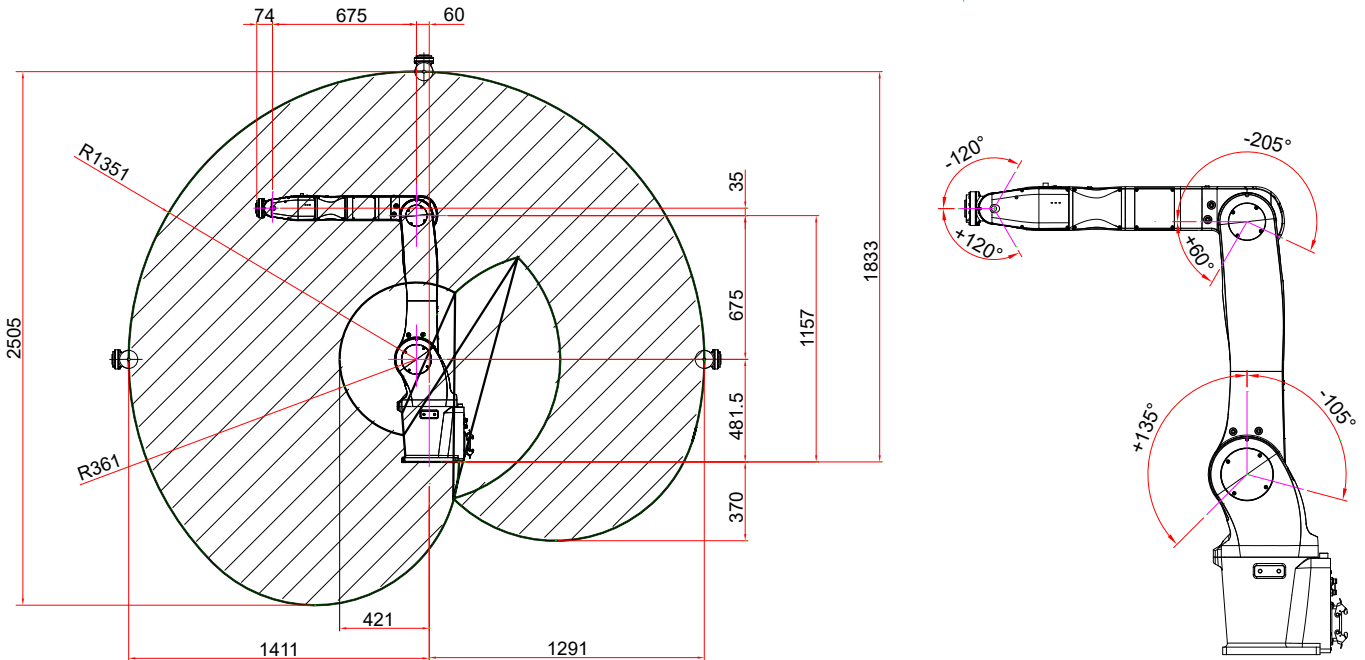
DRVA1L Series



Dimensions - DRV Series

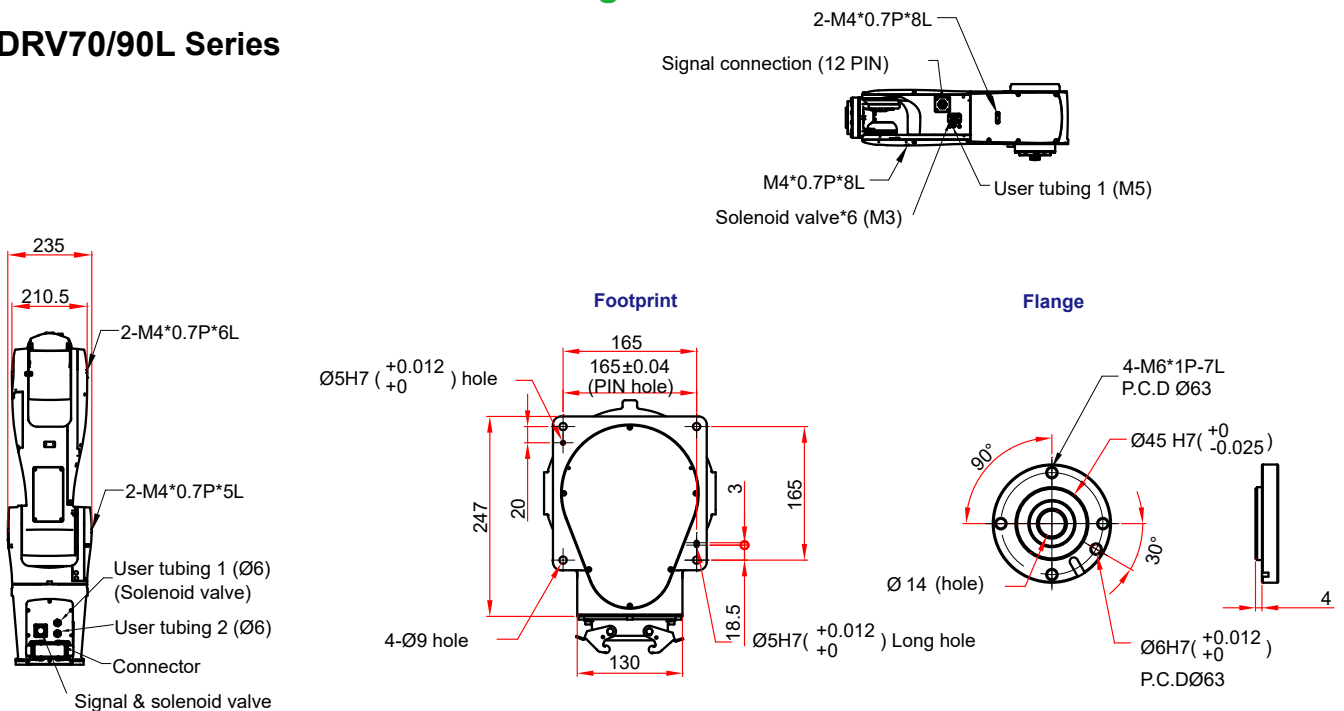
Range of Motion

DRVA4L Series



External Dimensions and Mounting Holes

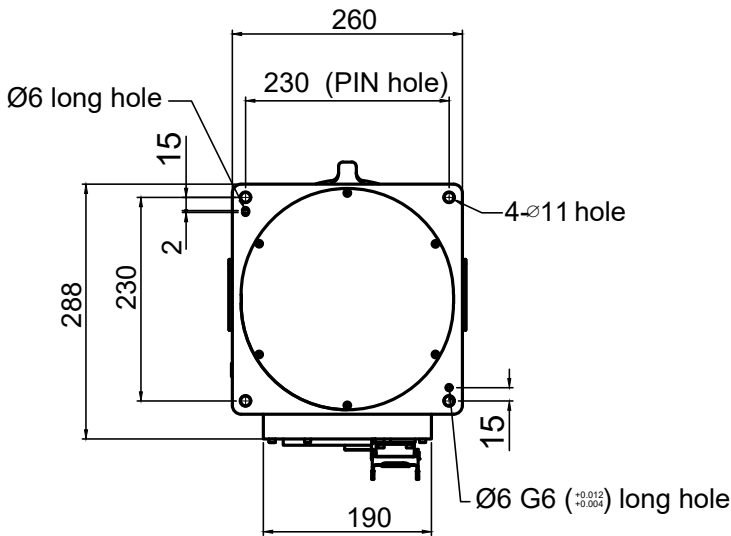
DRV70/90L Series



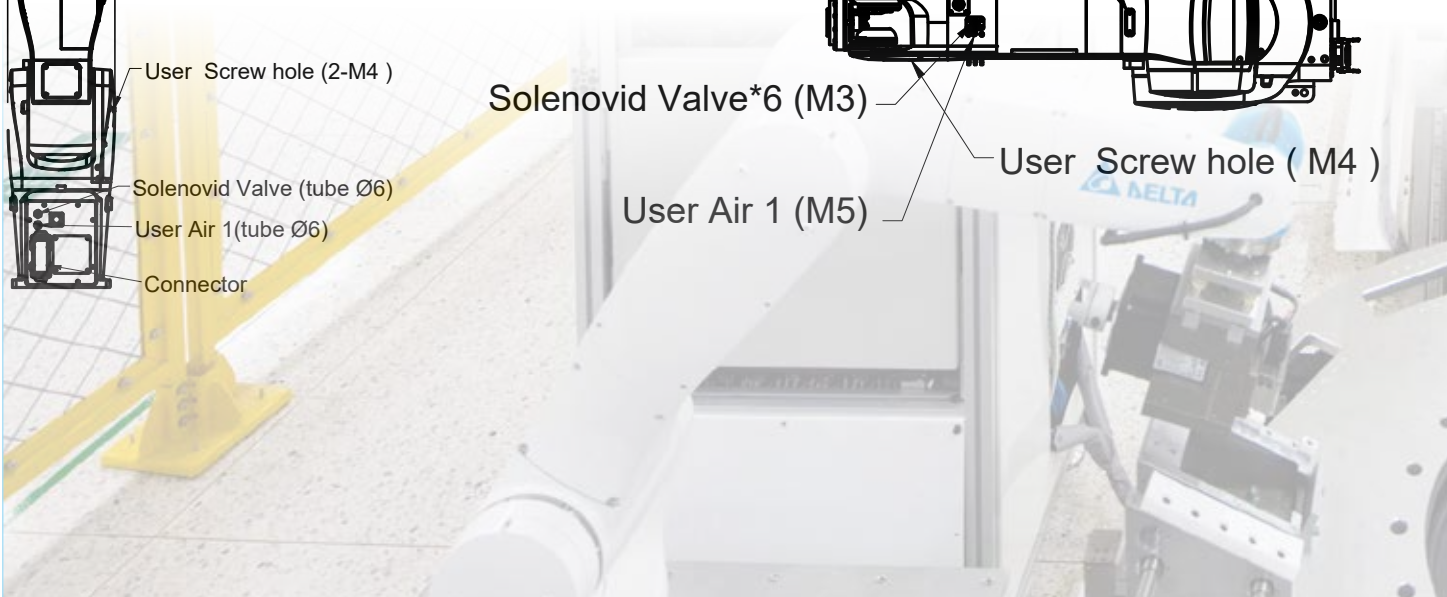
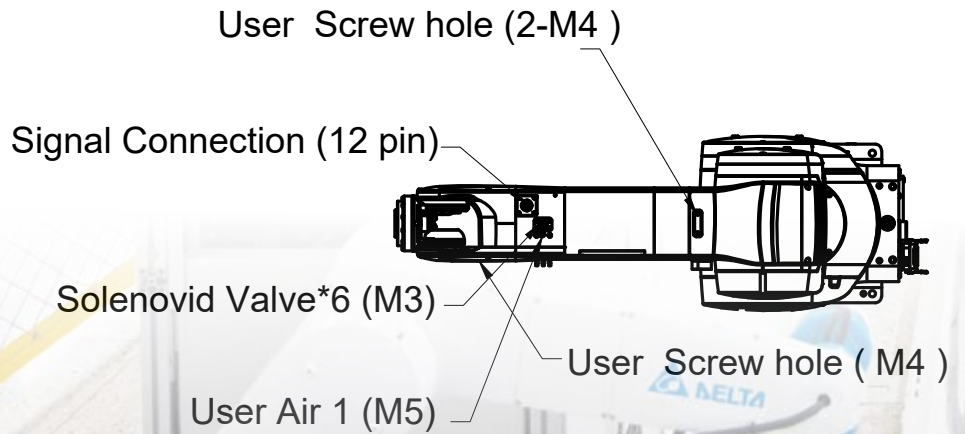
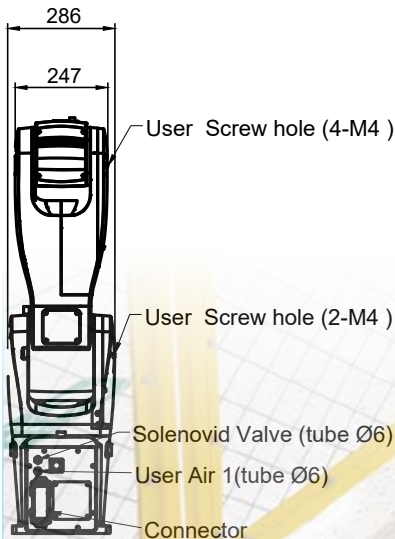
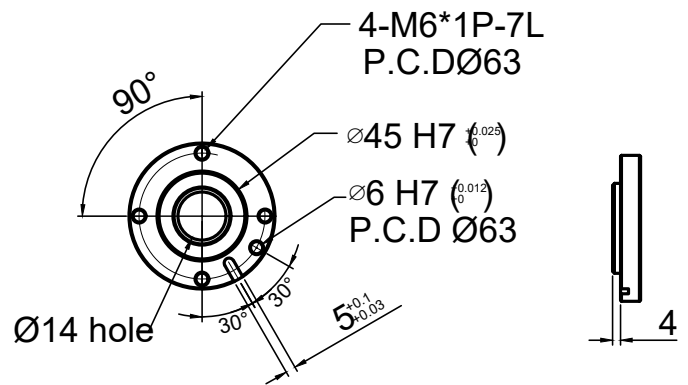
Dimensions - DRV Series

External Dimensions and Mounting Holes DRVA1L/DRVA4L Series

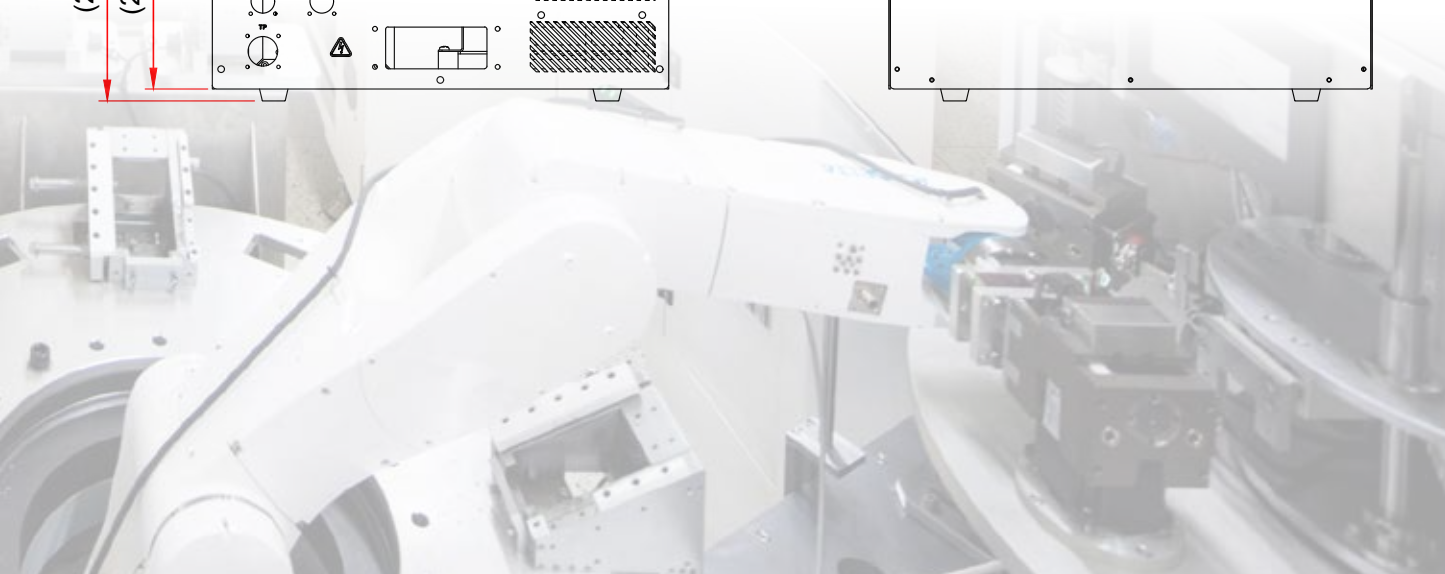
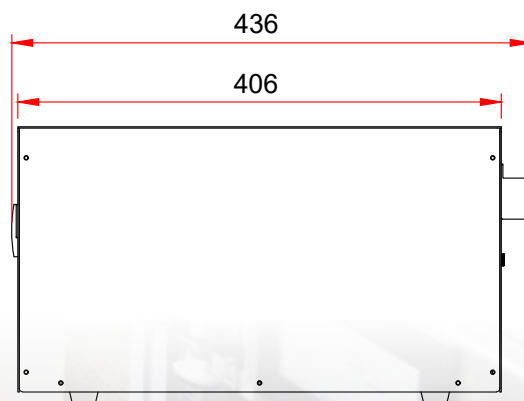
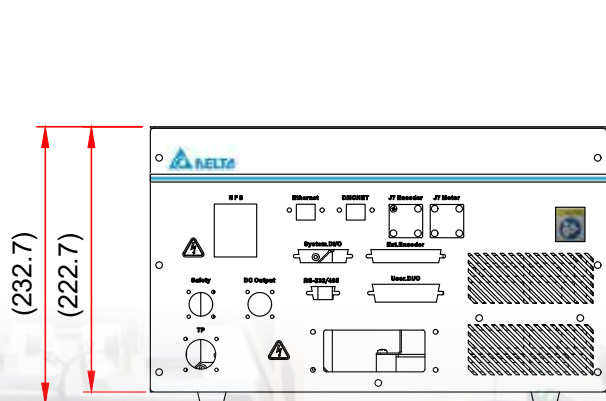
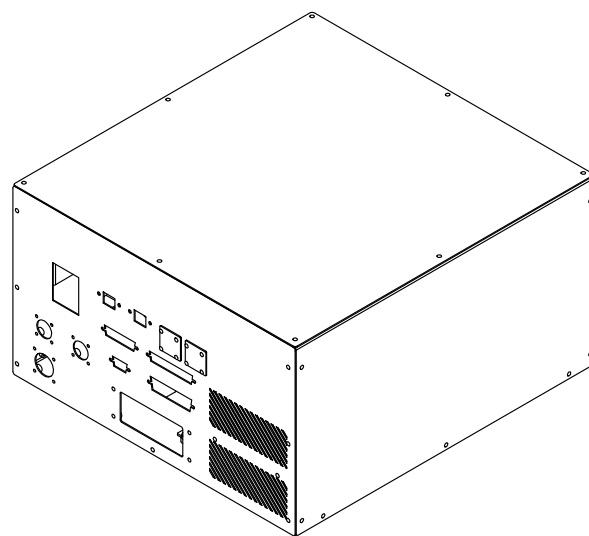
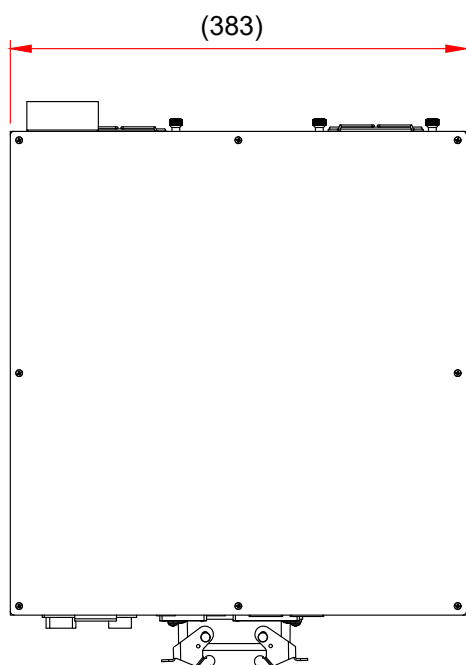
BASE FIX DRAWING



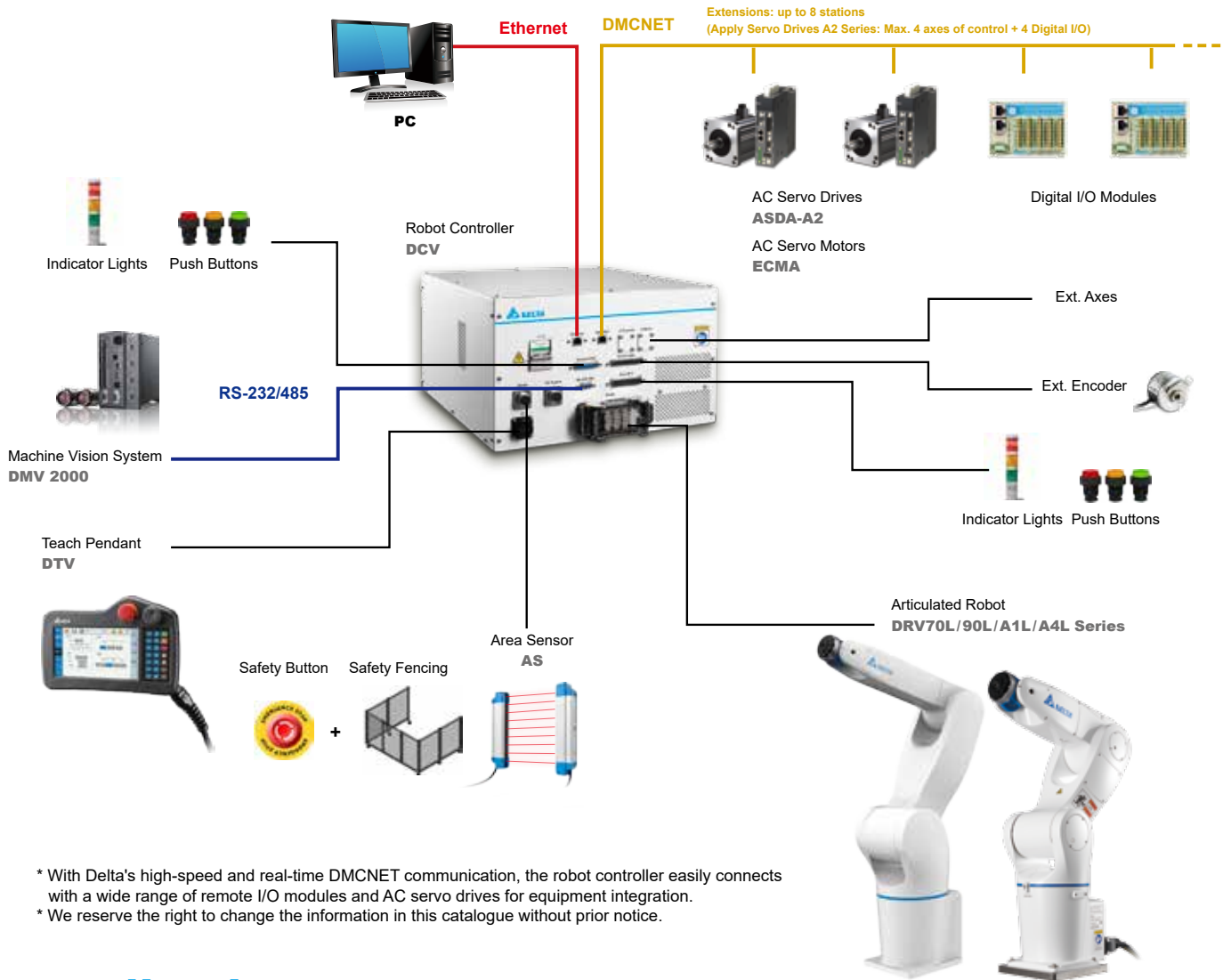
FLANGE DRAWING



Dimensions - DVC Series



Robot Controller Interface DRV Series



* With Delta's high-speed and real-time DMCNET communication, the robot controller easily connects with a wide range of remote I/O modules and AC servo drives for equipment integration.
 * We reserve the right to change the information in this catalogue without prior notice.

Applications



Load/Unload



Machine Tending



Assembly



Insertion



Inspection



Screw-driving

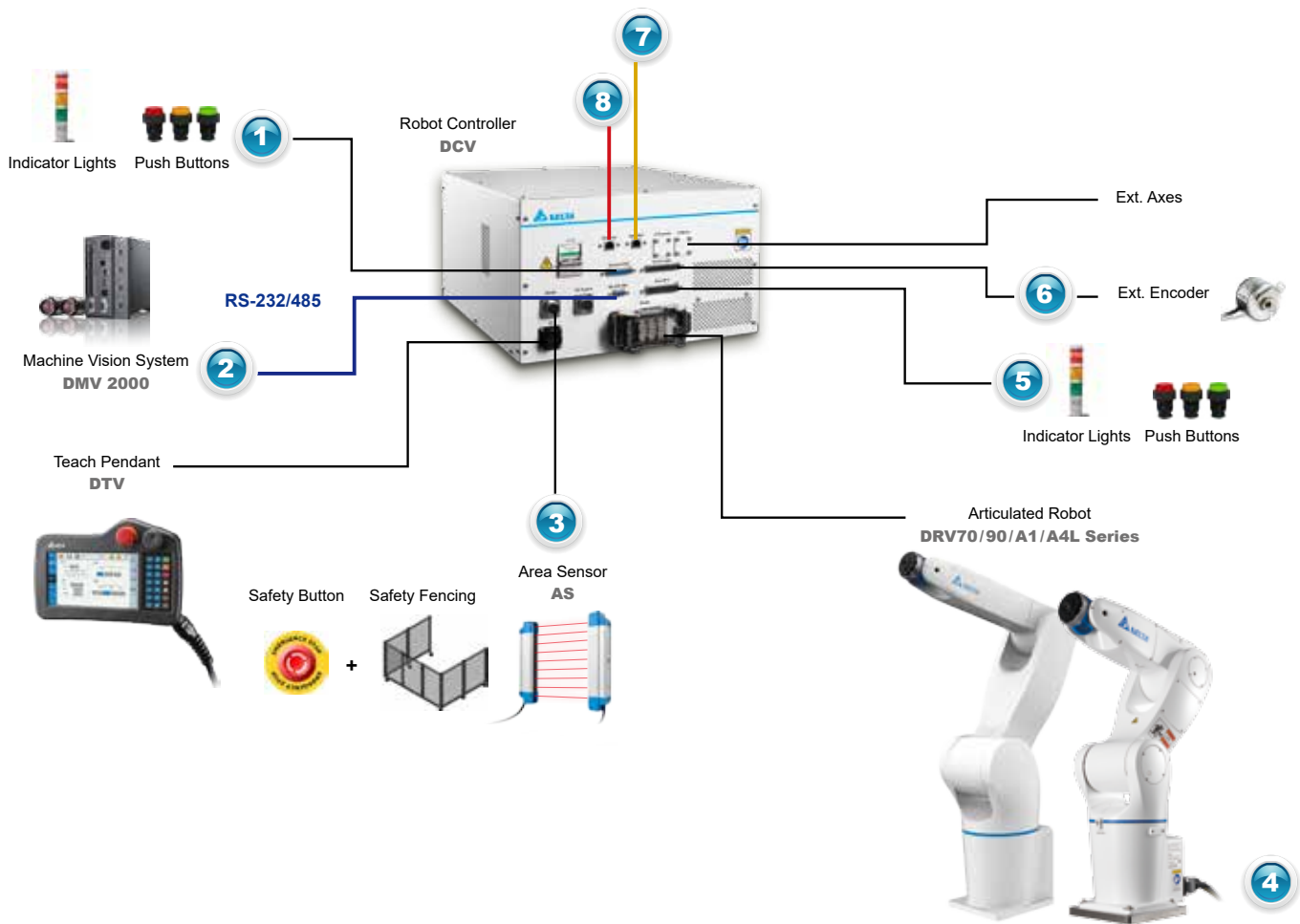
Ordering Information

Category	Model	Specifications	Description
Delta Articulated Robot DRV70L Series	DRV70L7A6313N	710mm/7Kg, IP40 (with DCV controller/ DRASstudio software), 3M standard robot cable	Multiple cable length and IP rating available
	DRV70L7A6315N	710mm/7Kg, IP40 (with DCV controller/ DRASstudio software), 5M standard robot cable	
	DRV70L7B6213N	710mm/7Kg, IP65 (with DCV controller/ DRASstudio software), 3M standard robot cable	
	DRV70L7B6215N	710mm/7Kg, IP65 (with DCV controller/ DRASstudio software), 5M standard robot cable	
	DRV70L7D6213N	CE type, 710mm/7Kg, IP40 (with DCV controller/ DRASstudio software), 3M standard robot cable	
	DRV70L7D6215N	CE type, 710mm/7Kg, IP40 (with DCV controller/ DRASstudio software), 5M standard robot cable	
Delta Articulated Robot DRV90L Series	DRV90L7A6313N	900mm/7Kg, IP40 (with DCV controller/ DRASstudio software), 3M standard robot cable	
	DRV90L7A6315N	900mm/7Kg, IP40 (with DCV controller/ DRASstudio software), 3M standard robot cable	
	DRV90L7B6213N	900mm/7Kg, IP65 (with DCV controller/ DRASstudio software), 3M standard robot cable	
	DRV90L7B6215N	900mm/7Kg, IP65 (with DCV controller/ DRASstudio software), 5M standard robot cable	
	DRV90L7D6213N	CE type, 900mm/7Kg, IP40 (with DCV controller/ DRASstudio software), 3M standard robot cable	
	DRV90L7D6215N	CE type, 900mm/7Kg, IP40 (with DCV controller/ DRASstudio software), 5M standard robot cable	
Delta Articulated Robot DRVA1L Series	DRVA1L7B6113N	1,111mm/7Kg, IP65 (with DCV controller/ DRASstudio software), 3M standard robot cable	Coming soon
	DRVA1L7B6115N	1,111mm/7Kg, IP65 (with DCV controller/ DRASstudio software), 5M standard robot cable	
Delta Articulated Robot DRVA4L Series	DRVA4L7B6113N	1,411mm/7Kg, IP65 (with DCV controller/ DRASstudio software), 3M standard robot cable	
	DRVA4L7B6115N	1,411mm/7Kg, IP65 (with DCV controller/ DRASstudio software), 5M standard robot cable	
Teach Pendant	DTV-2FM	21-key / 5M / Military connector	Suggested optional devices for DRV operation
	DTV-2GM	21-key / 10M / Military connector	

Ordering Information

Category	Model	Specifications	Description
Teach Pendant	DTV-2FM	21-key / 5m / military connector	Suggested optional devices for DRV operation
	DTV-2GM	21-key / 10m / military connector	
Optional Accessories (Electrical Control)	3081425800	SYS extension cord	Reduce wiring time
	3081425700	User. DIO extension cord / 3m / no deflection	
	3081427100	RS-232/485 extension cord / 3m / no deflection	
	3081735000	Safety extension cord / 3m / no deflection	
	3081734700	Signal extend cable / 5m / no deflection	
	3081734800	Signal extend cable / 7m / no deflection	
	3081734900	Signal extend cable / 12m / no deflection	
	3081427000	Ext.Encoder extension cord / 3m / no deflecti	
	3534815500	System DIO/1M + transfer module	
	3534815600	Ext.Encoder/1M + transfer module	
	3534815700	USER DIO/1M + transfer module	
	3864267000	CANopen communication cable / 1m	Optional devices to connect DI/O extension modules
	3864999300	CANopen communication cable / 3m	
	3864896200	CANopen communication cable / 10m	
	ASD-DMC-RM32MN	Remote 32 points (DI)	
	ASD-DMC-RM64MN	Remote 64 points (DI)	
	ASD-DMC-RM32NT	Remote 32 points (DO)	
	ASD-DMC-RM64NT	Remote 64 points (DO)	
	ASD-A2-0121-FN	100W Servo Drive	Optional devices to connect servo drives
	ASD-A2-0221-FN	200W Servo Drive	
ASD-A2-0421-FN	400W Servo Drive		
Optional Accessories (Hardware)	DMV1000-80GX	Delta Machine Vision DMV1000	Integrated with Delta's Machine Vision Systems (DMV) for different applications; for more information, please refer to DMV brochures Standard accessory with the whole-set robot
	3534538100	Accessory kits	

Optional Accessory System Structure



Category	Model	Specifications
1	3081425800	SYS extension cord
2	3081427100	RS-232 / 485 extension cord / 3m / no deflection
3	3081735000	Safety extension cord / 3m / no deflection
4	3081734700	Signal extend cable / 5m / no deflection
5	3081425700	User. DIO extension cord / 3m / no deflection
6	3081427000	Ext. encoder extension cord / 3m / no deflection
7	ASD-DMC-RM32MN	Remote 32 points (DI)
	ASD-DMC-RM64MN	Remote 64 points (DI)
	ASD-DMC-RM32NT	Remote 32 points (DO)
	ASD-DMC-RM64NT	Remote 32 points (DO)
	ASD-A2-0121-FN	100W Servo Drive
	ASD-A2-0221-FN	200W Servo Drive
8	ASD-A2-0421-FN	400W Servo Drive
	3864267000	CANopen communication cable / 1m
	3864999300	CANopen communication cable / 3m
	3864896200	CANopen communication cable / 10m



Smarter. Greener. Together.

Industrial Automation Headquarters

Delta Electronics, Inc.

Taoyuan Technology Center
No.18, Xinglong Rd., Taoyuan District,
Taoyuan City 33068, Taiwan
TEL: 886-3-362-6301 / FAX: 886-3-371-6301

Asia

Delta Electronics (Shanghai) Co., Ltd.

No.182 Minyu Rd., Pudong Shanghai, P.R.C.
Post code : 201209
TEL: 86-21-6872-3988 / FAX: 86-21-6872-3996
Customer Service: 400-820-9595

Delta Electronics (Japan), Inc.

Tokyo Office
Industrial Automation Sales Department
2-1-14 Shibadaimon, Minato-ku
Tokyo, Japan 105-0012
TEL: 81-3-5733-1155 / FAX: 81-3-5733-1255

Delta Electronics (Korea), Inc.

Seoul Office
1511, 219, Gasan Digital 1-Ro., Geumcheon-gu,
Seoul, 08501 South Korea
TEL: 82-2-515-5305 / FAX: 82-2-515-5302

Delta Energy Systems (Singapore) Pte Ltd.

4 Kaki Bukit Avenue 1, #05-04, Singapore 417939
TEL: 65-6747-5155 / FAX: 65-6744-9228

Delta Electronics (India) Pvt. Ltd.

Plot No.43, Sector 35, HSIIDC Gurgaon,
PIN 122001, Haryana, India
TEL: 91-124-4874900 / FAX : 91-124-4874945

Delta Electronics (Thailand) PCL.

909 Soi 9, Moo 4, Bangpoo Industrial Estate (E.P.Z),
Pattana 1 Rd., T.Phraksa, A.Muang,
Samutprakarn 10280, Thailand
TEL: 66-2709-2800 / FAX : 662-709-2827

Delta Electronics (Australia) Pty Ltd.

Unit 20-21/45 Normanby Rd., Notting Hill Vic 3168, Australia
TEL: 61-3-9543-3720

Americas

Delta Electronics (Americas) Ltd.

Raleigh Office
P.O. Box 12173, 5101 Davis Drive,
Research Triangle Park, NC 27709, U.S.A.
TEL: 1-919-767-3813 / FAX: 1-919-767-3969

Delta Electronics Brazil

São Paulo Sales Office
Rua Itapeva, 26 - 3º, andar Edifício Itapeva,
One - Bela Vista 01332-000 - São Paulo - SP - Brazil
TEL: 55-12-3932-2300 / FAX: 55-12-3932-237

Delta Electronics International Mexico S.A. de C.V.

Mexico Office
Gustavo Baz No. 309 Edificio E PB 103
Colonia La Loma, CP 54060
Tlalnepantla, Estado de México
TEL: 52-55-3603-9200

EMEA

Headquarters: Delta Electronics (Netherlands) B.V.

Sales: Sales.IA.EMEA@deltaww.com
Marketing: Marketing.IA.EMEA@deltaww.com
Technical Support: iatechnicalsupport@deltaww.com
Customer Support: Customer-Support@deltaww.com
Service: Service.IA.emea@deltaww.com
TEL: +31(0)40 800 3900

BENELUX: Delta Electronics (Netherlands) B.V.

De Witbogt 20, 5652 AG Eindhoven, The Netherlands
Mail: Sales.IA.Benelux@deltaww.com
TEL: +31(0)40 800 3900

DACH: Delta Electronics (Netherlands) B.V.

Coesterweg 45, D-59494 Soest, Germany
Mail: Sales.IA.DACH@deltaww.com
TEL: +49(0)2921 987 0

France: Delta Electronics (France) S.A.

ZI du bois Challand 2, 15 rue des Pyrénées,
Lisses, 91090 Evry Cedex, France
Mail: Sales.IA.FR@deltaww.com
TEL: +33(0)1 69 77 82 60

Iberia: Delta Electronics Solutions (Spain) S.L.U

Ctra. De Villaverde a Vallecas, 265 1º Dcha Ed.
Hormigueras – P.I. de Vallecas 28031 Madrid
TEL: +34(0)91 223 74 20

Carrer Llacuna 166, 08018 Barcelona, Spain

Mail: Sales.IA.Iberia@deltaww.com

Italy: Delta Electronics (Italy) S.r.l.

Via Meda 2-22060 Novedrate(CO)
Piazza Grazioli 18 00186 Roma Italy
Mail: Sales.IA.Italy@deltaww.com
TEL: +39 039 8900365

Russia: Delta Energy System LLC

Vereyskaya Plaza II, office 112 Vereyskaya str.
17 121357 Moscow Russia
Mail: Sales.IA.RU@deltaww.com
TEL: +7 495 644 3240

Turkey: Delta Greentech Elektronik San. Ltd. Sti. (Turkey)

Şerifaii Mah. Hendem Cad. Kule Sok. No:16-A
34775 Ümraniye – İstanbul
Mail: Sales.IA.Turkey@deltaww.com
TEL: + 90 216 499 9910

GCC: Delta Energy Systems AG (Dubai BR)

P.O. Box 185668, Gate 7, 3rd Floor, Hamarain Centre
Dubai, United Arab Emirates
Mail: Sales.IA.MEA@deltaww.com
TEL: +971(0)4 2690148

Egypt + North Africa: Delta Electronics

Unit 318, 3rd Floor, Trivium Business Complex, North 90 street,
New Cairo, Cairo, Egypt
Mail: Sales.IA.MEA@deltaww.com