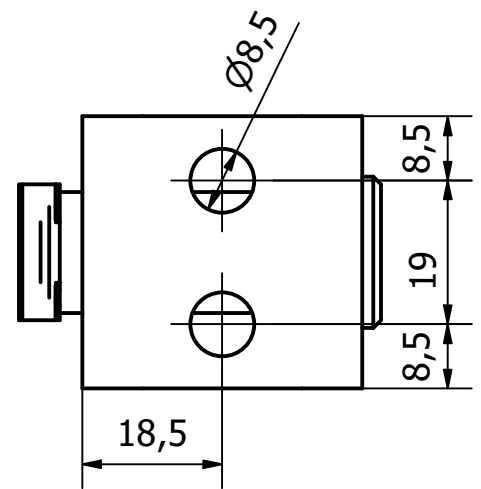
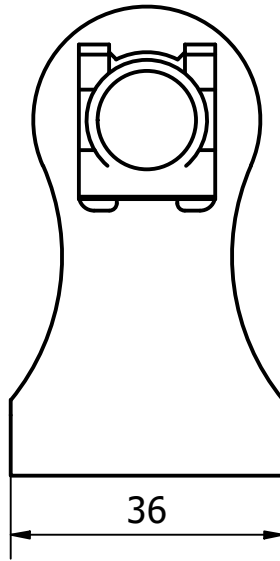
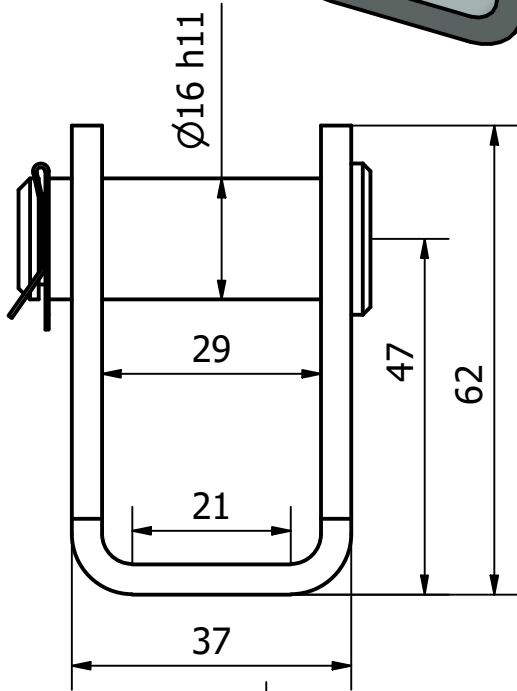
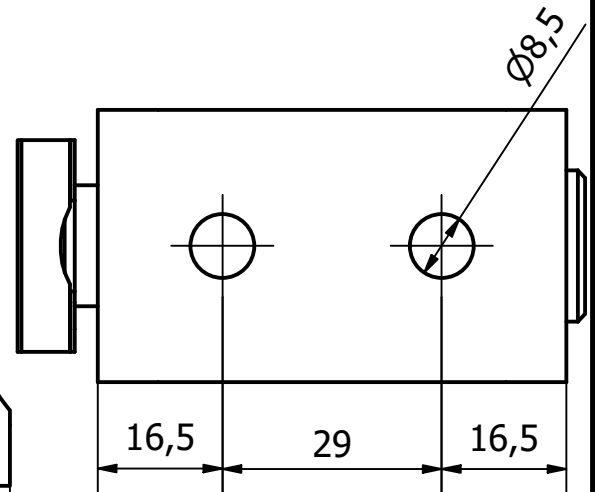
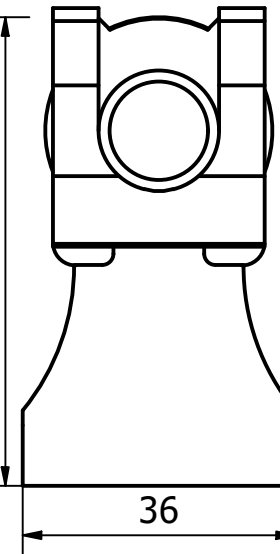
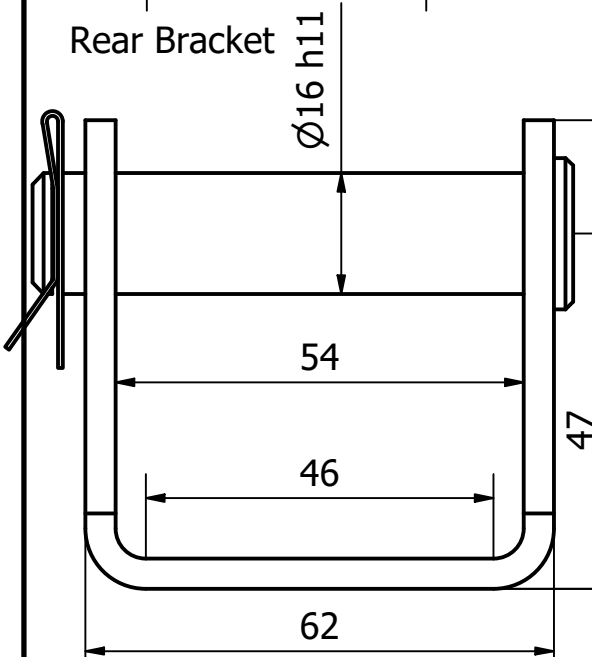


Front Bracket



Rear Bracket



concents

Øresundsvej 7 Phone: +4570111131
 DK-6715 Esbjerg N Fax: +4576105010
 Denmark Mail: Info@concents.com
 Web: www.concents.com

DIMENSIONS ARE IN mm
 DIMENSIONS WITHOUT
 TOLERANCES IN
 ACCORDANCE WITH
 ISO 2768-mK
 DO NOT SCALE DRAWING

Proprietary and confidential
 The information contained in this
 drawing is the sole property of
 Concents A/S. Any reproduction
 in part or as a whole without the
 written permission of Concents A/S
 is prohibited

Material: **Steel**
 Finish: **Elektro Galvanized**
 1. angle projection Weight:

Name	Date
Drawn SEL	14-06-2021
Checked	
Eng Appr.	
Mfg Appr.	
Q. Appr.	
Comments:	

Product group:	Concents actuator parts	
Product name:		
Part name:	Mounting Brackets Con60	
Note:		
Drawing No:	60-230-01-0000-10-01	Rev. 02

