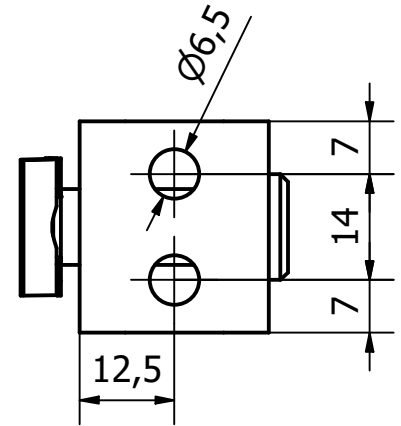
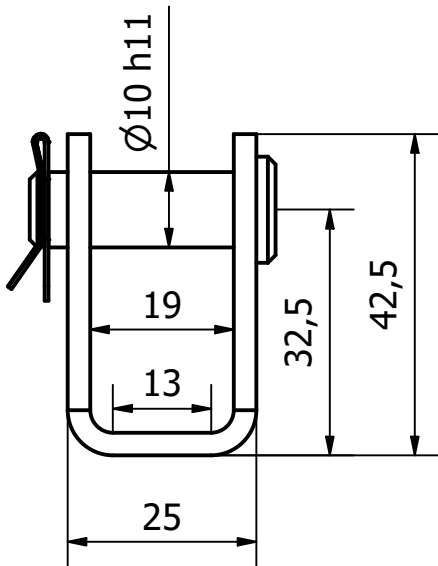
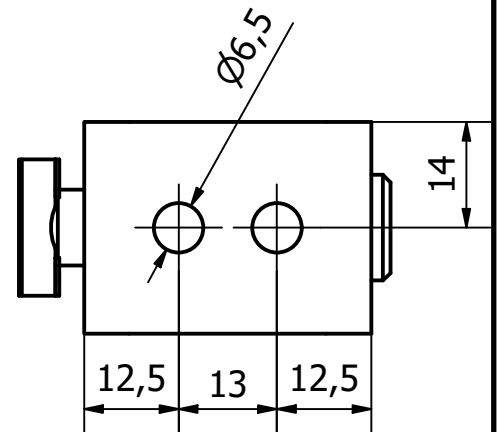
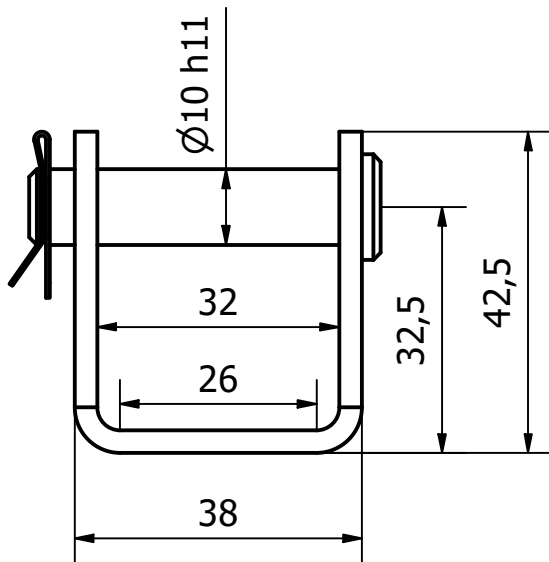


Front Bracket



Rear Bracket



concents

Øresundsvej 7 Phone: +4570111131
 DK-6715 Esbjerg N Fax: +4576105010
 Denmark Mail: Info@concents.com
 Web: www.concents.com

DIMENSIONS ARE IN mm
 DIMENSIONS WITHOUT
 TOLERANCES IN
 ACCORDANCE WITH
 ISO 2768-mK
 DO NOT SCALE DRAWING

Name	Date
Drawn SEL	14-06-2021
Checked	
Eng Appr.	
Mfg Appr.	
Q. Appr.	

Product group: Concents actuator parts

Product name:

Part name:

Mounting Brackets Con35

Note:

Proprietary and confidential
 The information contained in this drawing is the sole property of Concents A/S. Any reproduction in part or as a whole without the written permission of Concents A/S is prohibited

Material: Steel

Finish: Elektro Galvanized

1. angle projection Weight:



Drawing No:
 A4 35-230-01-0000-10-01

Rev.
 02