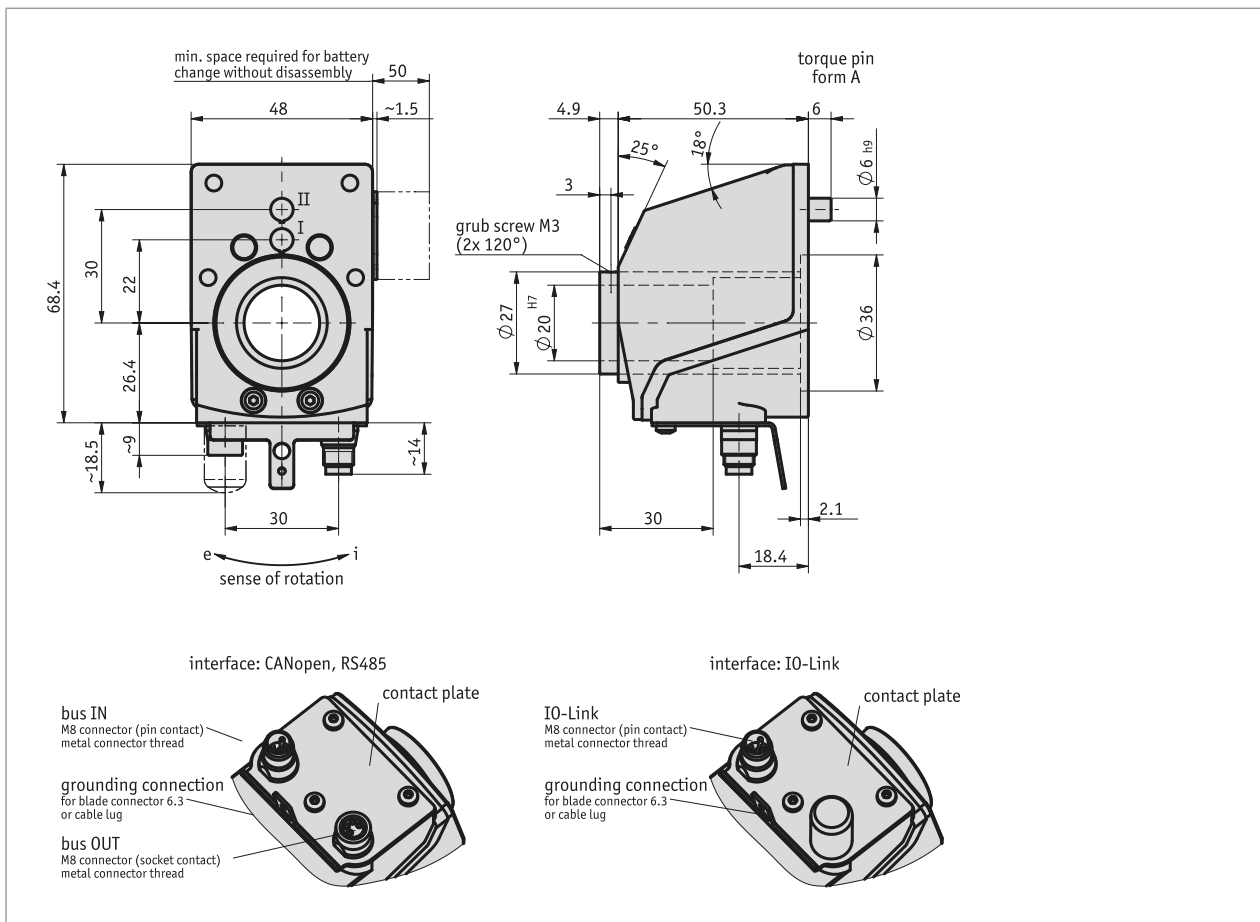


Profile

- Electronic position indicator with interface
- Stainless-steel hollow shaft $\varnothing 20$ mm, up to $\varnothing 25.4$ mm as an option
- Backlit display
- Two-line LCD for target and actual values
- Reset, incremental measurement, offset via keyboard
- Integrated RS485 interface, CAN bus or IO-Link as an option
- Robust sensor technology unit thanks to magnetic scanning
- User guidance through status LEDs
- Mechanically compatible with the DA09S position indicator
- IP53 protection class, IP65 as an option
- Industry 4.0 ready



Mechanical data

Feature	Technical data	Additional information
shaft	rustproof stainless steel	
Housing	reinforced plastic	plug thread, nickel-plated brass/cover, metal ground connection
Color	black, RAL 9005	
Speed	≤ 500 min ⁻¹	
Weight	~ 0.2 kg	

Electrical data

Feature	Technical data	Additional information
Operating voltage	24 V DC $\pm 20\%$	
Current consumption	~ 30 mA	when operated with LEDs additionally ~ 3 mA per LED
Power input	~ 0.72 VA	max. power supply of the power supply unit used: 100 VA. The power supply used corresponds to SELV/Limited Energy (IEC 61010-1) or SELV/LPS (IEC 60950-1) or Class 2 (UL 1310).
Battery service life	~ 8 Year(s)	
Parameter storage	10^5 cycles	also applies to calibration operations
Display/display range	6-digit LCD 14-segment, ~ 8 mm high	decimal points, 2 rows, special characters (backlit LED red/white)
Special character	cw arrow, ccw arrow, incremental measurement, battery	
Status display	2x two-color LED (red/green)	position status, configurable
Keys	incremental measurement function, parameterizing, resetting	
Interface	RS485, CANopen, IO-Link	no galvanic isolation
Type of connection	2x M8 plug connectors (A-coded) 1x M8-plug connector (A-coded) grounding via flat male tab 6.3 mm or terminal lug	4-pin, 1x socket, 1x pin (RS485, CANopen) 4-pin, 1x pin (IO-Link)

System data

Feature	Technical data	Additional information
Scanning	magnetic	
Resolution	880 Increments/revolution	displayed value/rotation freely configurable
Measuring range	≤ 190650 rotation(s)	
Approval	UL	UL 61010-1, File No. E503367

Ambient conditions

Feature	Technical data	Additional information
Ambient temperature	0 ... 60 °C	
Storage temperature	-20 ... 80 °C	
Relative humidity		condensation inadmissible
EMC	EN 61326-1	Industry immunity requirement, class B emission limit, shielded line required
Safety regulations	DIN EN 61010-1 (VDE 0411-1), UL 61010-1	Limited power supply according to DIN EN 61010-1 Section 9.4. Protection class II Surge category II Pollution level 2
Protection category	IP53 IP65	EN 60529, with mating connectors (degree of protection not tested by UL) EN 60529, with mating connectors (degree of protection not tested by UL)
Shock resistance	500 m/s ² , 11 ms	EN 60068-2-27
Vibration resistance	< 100 m/s ² , 5 ... 150 Hz	EN 60068-2-6

pin assignment

■ Interfaces

RS485	CAN-Bus	IO-Link	PIN
TxRx-/DUB	CANL	L+ (+UB)	1
TxRx+/DUA	CANH	nc	2
+UB	+UB	L- (GND)	3
GND	GND	C/Q	4

Industry 4.0

In most cases, data exchange with the position indicators is limited to the exchange of process data. In addition to the process data, intelligent displays provide additional information that can be evaluated for condition monitoring up to predictive maintenance:

Process data	Smart Value	Smart Function
Actual position	Battery voltage	Battery change planning
"Target position"	Speed	Overload

Order

■ Ordering table

Feature	Ordering data	Spezifikation	Additional information
interface/protocol	A CAN S3/09 IOL	CANopen RS485/SIKONETZ5 IO-Link	
hollow shaft/diameter	B 20 25.4 ... others on request	ø20 mm ø25.4 mm RH14, RH16 others on request	reducing bushes
torque pin/position	C II I	distance 30 mm distance 22 mm	optional
Protection category	D IP53 IP65	IP53 IP65	
Sight window	E SF K	front foil plastic	impact protection

■ Order key



Scope of delivery:

AP10, Installation Instructions



Accessories you can find:

Pneumatic clamping plate KP09P
Clamping plate KPL09
Easy touch control ETC5000
Cable extension KV04S1
Battery unit ZB1027
Adapter sleeve RH09
Overview, Mating connector
Mating connector, 4-pole, socket
Mating connector, 4-pole, pin
Bus terminating connector, 4-pole, pin

www.siko-global.com
www.siko-global.com
www.siko-global.com
www.siko-global.com
www.siko-global.com
www.siko-global.com
www.siko-global.com
Order key 84209
Order key 84210
Order key BAS-0005