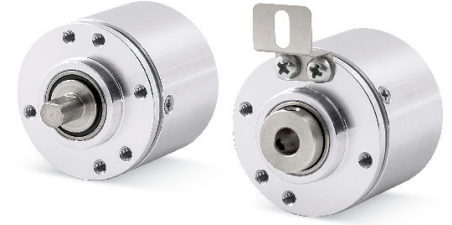


- Compact magnetic incremental encoder
- Resolution up to 2048 pulses/rev.
- Ø 6 mm solid or hollow shaft
- IP67 with sealed circuits (optional)



MI36 • MC36

### ENVIRONMENTAL SPECIFICATIONS

Shock:	250 g, 6 ms acc. to CEI EN 60068-2-27
Vibrations:	10 g, 5-2000 Hz acc. to CEI EN 60068-2-6
Protection:	IP65
Operating temperature range:	-25°C +85°C (-13°F +185°F)
Storage temperature range:	-25°C +85°C (-13°F +185°F) (98% R.H. without condensation)
Option:	• IP67 protection with sealed circuits

### MECHANICAL SPECIFICATIONS

Dimensions:	see drawing
Shaft diameter:	Ø 6 mm
Shaft loading (axial, radial):	20 N max.
Shaft rotational speed:	12000 rpm max.
Starting torque (at 20°C):	0,1 Ncm (typical)
Bearings life:	10 <sup>9</sup> rev. min.
Electrical connections:	cable output 1 m (3.3 ft)
Weight:	~ 50 g (1,7 oz)
Option:	• additional cable

### ELECTRICAL SPECIFICATIONS

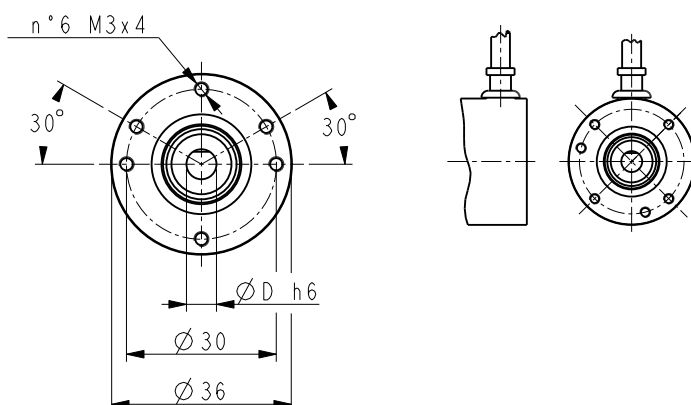
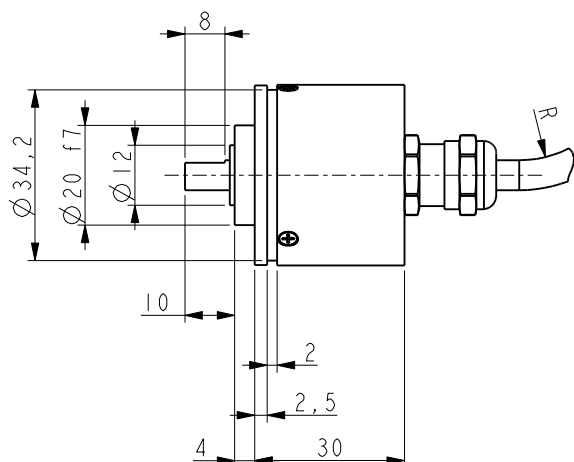
Resolution (PPR):	4-8-10-16-20-25-32-40-50-64-80-100-125-128 200-250-256-400-500-512-1024-2048
Accuracy:	± 1°
Counting frequency:	300 kHz max.
Output circuits:	NPN, Push-Pull, Line Driver
Power supply:	5Vdc ±5%, +10Vdc +30Vdc
Consumption:	50 mA max.
Output current (each channel):	40 mA max.
Protection:	against inversion of polarity and short-circuit (except L circuit)
EMC:	electro-magnetic immunity, according to: EN 61000-4-2 EN 61000-4-4

### MATERIALS

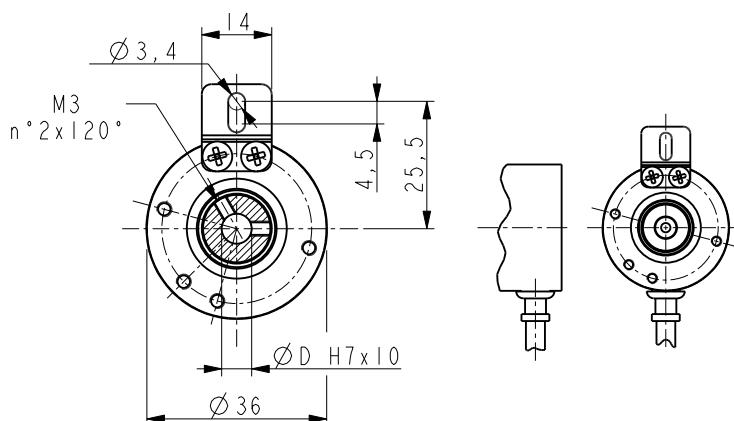
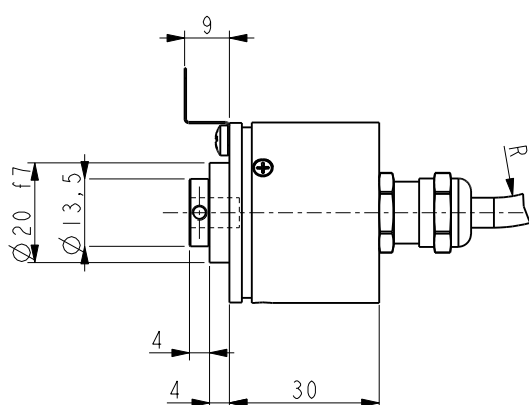
Flange:	anticorrosive, UNI EN AW-6082
Housing:	anticorrosive, UNI EN AW-6082
Bearings:	ABEC 5
Shaft:	stainless steel, non magnetic, UNI EN 4305

### ACCESSORIES

PAN-6:	Aluminium coupling
PGF-6:	Flexible coupling



MI36



MC36

Order code

MI36	-	XX	-	XXXXX	-	XXX	-	XX	-	X	X	-	X	XXXX	/Sxxx
MC36		(a)		(b)		(c)		(d)		(e)	(f)		(g)	(h)	(i)

<p><b>(a) OUTPUT CIRCUITS / POWER SUPPLY</b>                  N2 = NPN o.c., +10V ÷ +30V                  Y2 = Push Pull, +10V ÷ +30V                  L1 = Line Driver (RS422), +5V ± 5%</p>	<p><b>(c) OUTPUT SIGNALS</b>                  ZNF = ABO                  ZCU = ABO, /ABO</p>	<p><b>(f) OPERATING TEMPERATURE</b>                  T = -25°C +85°C (-13°F +185°F)</p>	<p><b>(h) CABLE LENGTH</b>                  L010 = cable output 1 m (standard)                  L020 = cable output 2 m                  Lxx0 = cable out. x dm (max. length 10 m)</p>
<p><b>(b) RESOLUTION (PPR)</b>                  See electrical specifications</p>	<p><b>(d) SHAFT DIAMETER</b>                  06 = 6 mm</p>	<p><b>(g) CONNECTION POSITION</b>                  A = axial                  R = radial</p>	<p><b>(i) CUSTOM VERSION</b></p>
	<p><b>(e) PROTECTION</b>                  P = IP65 (standard)                  J = IP67 (with sealed circuits)</p>		

Document release	Date	Description
1.0	July 2024	New order code (deleted BCU and BNF outputs)