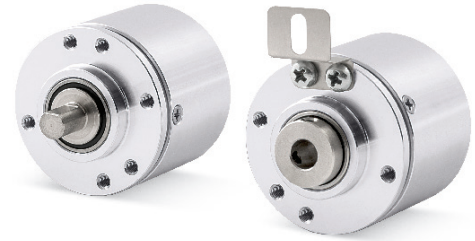


- Magnetic sensing
- Absolute single-turn encoder
- Resolution 8192 counts/rev, SSI interface
- Protection up to IP67 with sealed circuit
- MS36: solid shaft version
- MSC36: blind hollow shaft version, Ø 6mm



MS36 • MSC36

ENVIRONMENTAL SPECIFICATIONS

Shock:	250 g, 6 ms acc. to CEI EN 60068-2-27
Vibrations:	10 g, 5-2000 Hz acc. to CEI EN 60068-2-6
Protection:	IP65
Operating temperature range:	-25°C +85°C (-13°F +185°F)
Storage temperature range:	-25°C +85°C (-13°F +185°F) (98% R.H. without condensation)
Option:	• Protection IP67

MECHANICAL SPECIFICATIONS

Dimensions:	see drawing
Shaft diameter:	Ø 6 mm
Shaft loading (axial, radial):	20 N max.
Shaft rotational speed:	12000 rpm max.
Starting torque (at 20°C):	0,1 Ncm
Bearings life:	10 ⁹ rev. min.
Electrical connections:	M12 8 pin inline plug or cable output 1 m (3.3 ft)
Weight:	~ 100 g (3,5 oz)
Option:	• additional cable

ELECTRICAL SPECIFICATIONS

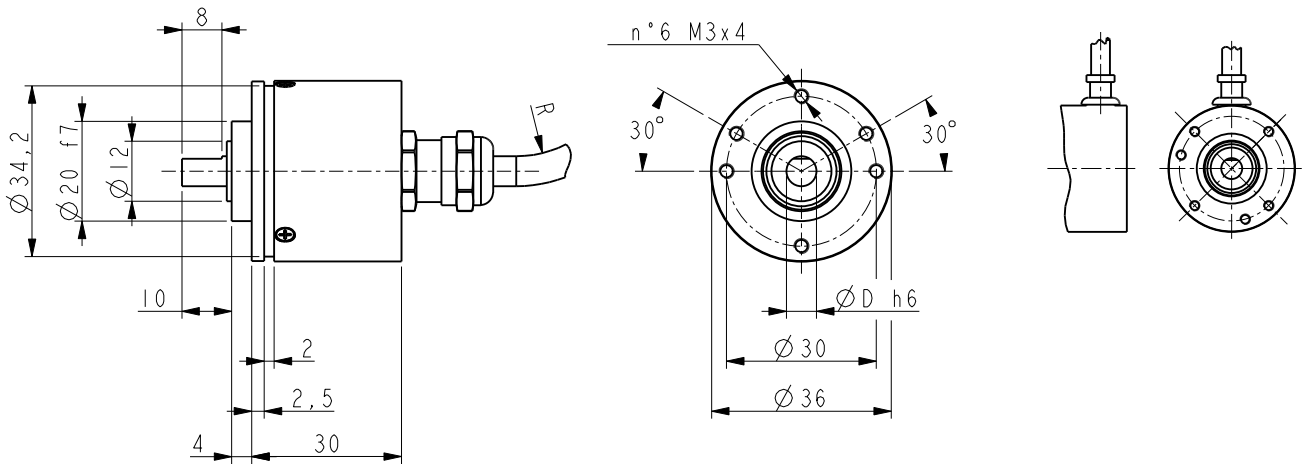
Resolution:	8192 counts/rev.
Accuracy:	± 0,9°
Output circuit:	SSI, 13 bit
Output code:	Binary
Power supply:	+10Vdc +30Vdc
Power consumption:	65 mA max.
Protection:	protected against inversion of polarity
EMC:	electro-magnetic immunity, according to: EN 61000-4-2 EN 61000-4-4

MATERIALS

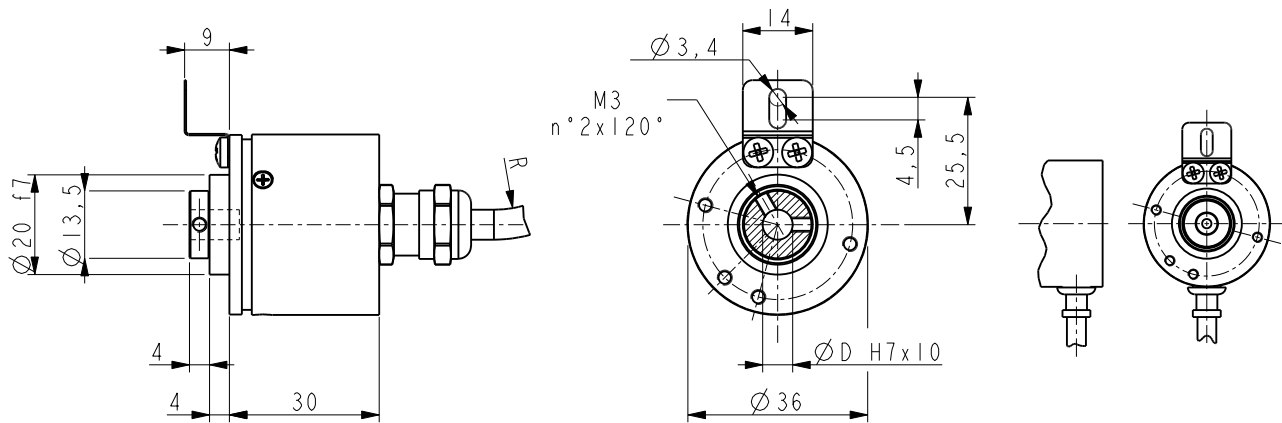
Flange:	anticorrosive, UNI EN AW-6082
Housing:	anticorrosive, UNI EN AW-6082
Bearings:	ABEC 5
Shaft:	stainless steel, non magnetic, UNI EN 4305

ACCESSORIES

PAN/PGF:	Flexible couplings
----------	--------------------



MS36



MSC36

Order code

MS36	-	XX	-	XXX	-	XX	-	X	X	-	X	XXXX	/Sxxx
MSC36		(a)		(b)		(c)		(d)	(e)		(f)	(g)	(h)

<p>(a) RESOLUTION (BIT SINGLETURN-BIT MULTITURN) 13-00 = 13 bit (8192 counts/rev. x 1 turn)</p>	<p>(c) SHAFT DIAMETER 06 = 6 mm</p>	<p>(e) OPERATING TEMPERATURE T = -25°C +85°C (-13°F +185°F)</p>	<p>(g) CONNECTION TYPE & CABLE LENGTH L010 = cable output 1 m (standard) Lxx0 = cable output x m (max. length 10 m) L100 = cable output 10 m M005 = 0,5 m cable + M12 8 pin inline plug M020 = 2 m cable + M12 8 pin inline plug</p>
<p>(b) INTERFACE / POWER SUPPLY BS2 = Binary, SSI (tree format), +10Vdc +30Vdc</p>	<p>(d) PROTECTION P = IP65 (standard) J = IP67 (with sealed circuit)</p>	<p>(f) CONNECTION POSITION A = axial R = radial</p>	<p>(h) CUSTOM VERSION</p>

Document release	Date	Description
1.1	6.11.2023	Order code, BS2 Interface / Power supply (instead of BR2)
1.0	July 2023	New order code