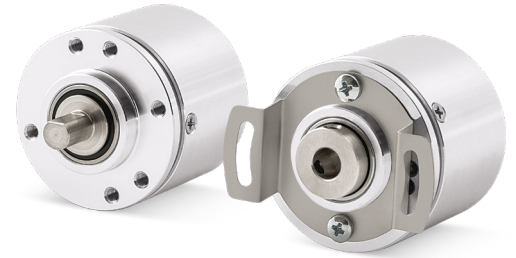


- Programmable incremental encoder
- Compact size & rugged design
- Resolution from 1 to 16384 PPR
- Selectable Index length 90 or 180° el.
- Counting direction cw, ccw
- Push-Pull + Line Driver compatible output
- Programmable via USB cable



IQ36 • CKQ36

ENVIRONMENTAL SPECIFICATIONS

Shock:	250 g, 6 ms acc. to CEI EN 60068-2-27
Vibrations:	10 g, 5-2000 Hz acc. to CEI EN 60068-2-6
Protection:	IP67, IP65 shaft side
Operating temperature range:	-25°C +85°C (-13°F +185°F)
Storage temperature range:	-40°C +100°C (-40°F +212°F) (98% R.H. without condensation)
Option:	Protection IP69K (sealed circuits)

MECHANICAL SPECIFICATIONS

Dimensions:	see drawing
Shaft diameter:	Ø 6 mm
Hollow shaft diameter:	Ø 6 mm
Shaft loading (axial, radial):	20 N max.
Shaft rotational speed:	typ. 6000 rpm / 12000 temporary
Starting torque at 20°C:	0,1 Ncm (typical)
Bearings life:	10 ⁹ rev. min.
Electrical connections:	M12 plug or cable output 1 m (3.3 ft)
Weight:	~ 50 g (1,7 oz)
Option:	• additional cable

ELECTRICAL SPECIFICATIONS

Resolution (PPR):	programmable from 1 to 16384
Accuracy:	± 0,15°
Counting frequency:	500 kHz max.
Output circuits:	Universal output (PP+LD compatible)
Power supply:	+5V +30V
Consumption:	60 mA (typical)
Output current (each channel):	40 mA max.
Protection:	against inversion of polarity and short cut
EMC:	electro-magnetic immunity, EN 61000-4-2 EN 61000-4-4

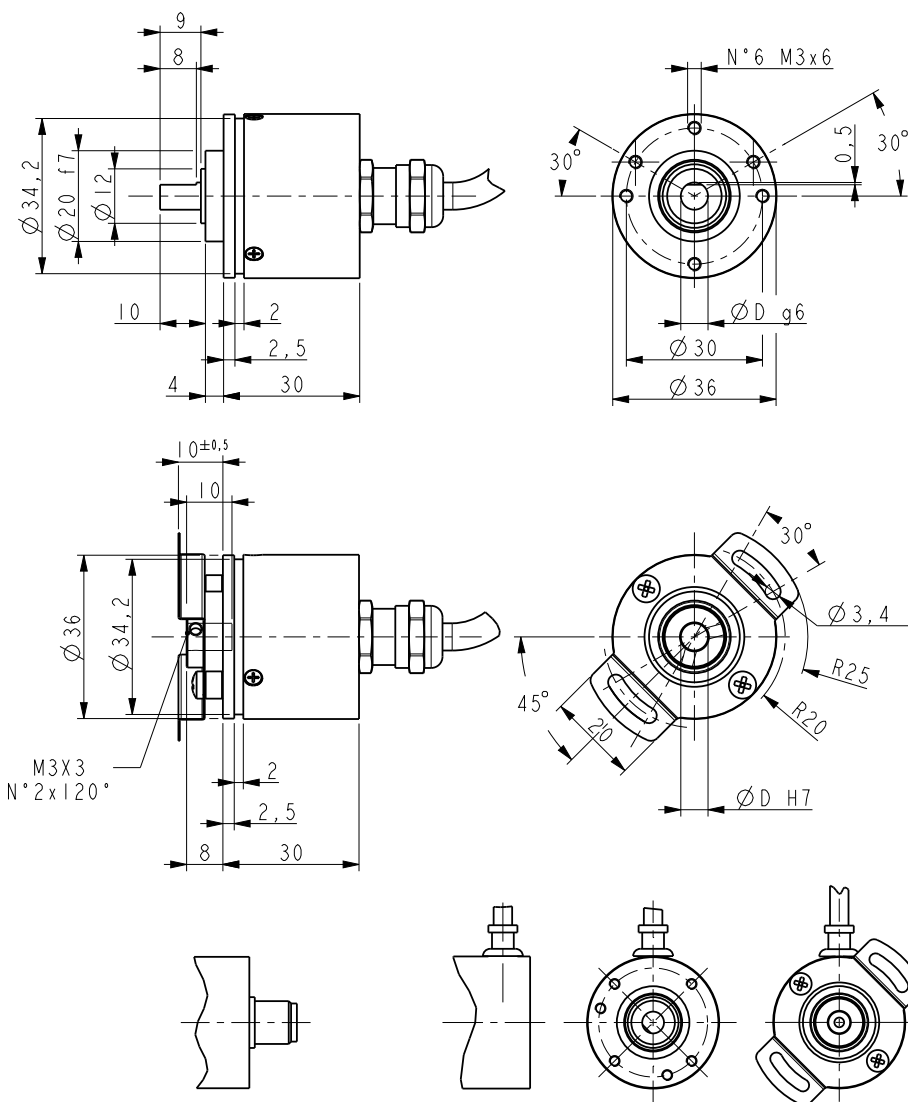
MATERIALS

Flange:	anticorrosive, UNI EN AW-6082
Housing:	anticorrosive, UNI EN AW-6082
Bearings:	ABEC 5
Shaft:	stainless steel, non-magnetic - UNI EN 4305

ACCESSORIES

E-M12F12:	M12 12 pin mating connector
EC-M12F12-LK-T12-L050:	M12 cordset with 5 m cable*
EC-M12F12-LK-T12-L100:	M12 cordset with 10 m cable*
PAN/PGF:	flexible couplings
KIT IP/IQ58:	USB programming kit
EC-IP/IQ58-M12:	M12 programming cable

*not suitable for programming



IQ36 • CKQ36

Order code

IQ36	-	XX	-	XXXXX	-	XXX	-	XX	-	X	X	-	X	XXXX	/Sxxx
CKQ36		(a)		(b)		(c)		(d)		(e)	(f)		(g)	(h)	(i)

(a) OUTPUT CIRCUITS / POWER SUPPLY

H4 = PP/LD universal circuit, +5V ÷ +30V

(b) RESOLUTION (PPR)

OOPRG = programmable

(c) OUTPUT SIGNALS / CONNECTIONS

ZCW = ABO /ABO, 12 wires cable output (type T12)

ZCM = ABO /ABO, M12 12 pin plug

(d) SHAFT DIAMETER

06 = 6 mm

(e) PROTECTION

P = IP67, IP65 shaft side

N = IP69K (with sealed circuits)

(f) OPERATING TEMPERATURE

T = -25°C +85°C (-13°F +185°F)

(g) CONNECTION POSITION

A = axial

R = radial (only in combination with ZCW output)

(h) CABLE LENGTH (only with ZCW)

L010 = cable output 1 m

L020 = cable output 2 m (max. length)

(i) CUSTOM VERSION

Document release	Date	Description
1.1	11.04.24	Order code - updating R connection position
1.0	September 2023	New order code