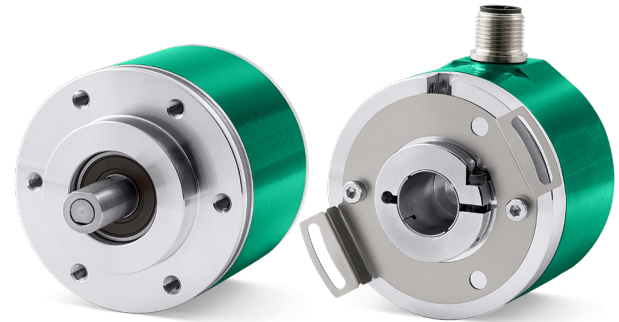




- Programmable incremental encoder
- Resolution from 1 to 16384 PPR
- Selectable Index length 90 or 180° el.
- Counting direction cw, ccw
- Push-Pull + Line Driver compatible output
- Programmable via USB cable



IQ58 • CKQ59

### ENVIRONMENTAL SPECIFICATIONS

Shock:	250 g, 6 ms acc. to CEI EN 60068-2-27
Vibrations:	10 g, 5-2000 Hz acc. to CEI EN 60068-2-6
Protection:	IP65
Operating temperature range:	-25°C +85°C (-13°F +185°F)
Storage temperature range:	-40°C +100°C (-40°F +212°F) (98% R.H. without condensation)

### MECHANICAL SPECIFICATIONS

Dimensions:	see drawing
Shaft diameter:	Ø 6, 8, 9.52, 10, 12 mm
Hollow shaft diameter:	Ø 14, 15 mm
Reducing sleeves BR1-xx from Ø 15 to:	Ø 6, 8, 9.52, 10, 11, 12 mm
Shaft loading (axial, radial):	100 N max.
Shaft rotational speed:	typ. 6000 rpm / 12000 temporary
Starting torque at 20°C:	IQ58: 0,15 Ncm / IQ58S, CKQ: 0,4 Ncm (typical)
Bearings life:	400 x 10 <sup>6</sup> rev. min. (10 <sup>9</sup> rev. min. with 20 N shaft loading max.)
Electrical connections:	M12, M23 plug or cable output 1 m (3.3 ft)
Weight:	~ 200 g (7 oz)
Option:	• additional cable

### ELECTRICAL SPECIFICATIONS

Resolution (PPR):	programmable from 1 to 16384
Accuracy:	± 0,15°
Counting frequency:	500 kHz max.
Output circuits:	Universal output (PP+LD compatible)
Power supply:	+5V +30V
Consumption:	60 mA (typical)
Output current (each channel):	40 mA max.
Protection:	against inversion of polarity and short cut
EMC:	electro-magnetic immunity, EN 61000-4-2 EN 61000-4-4

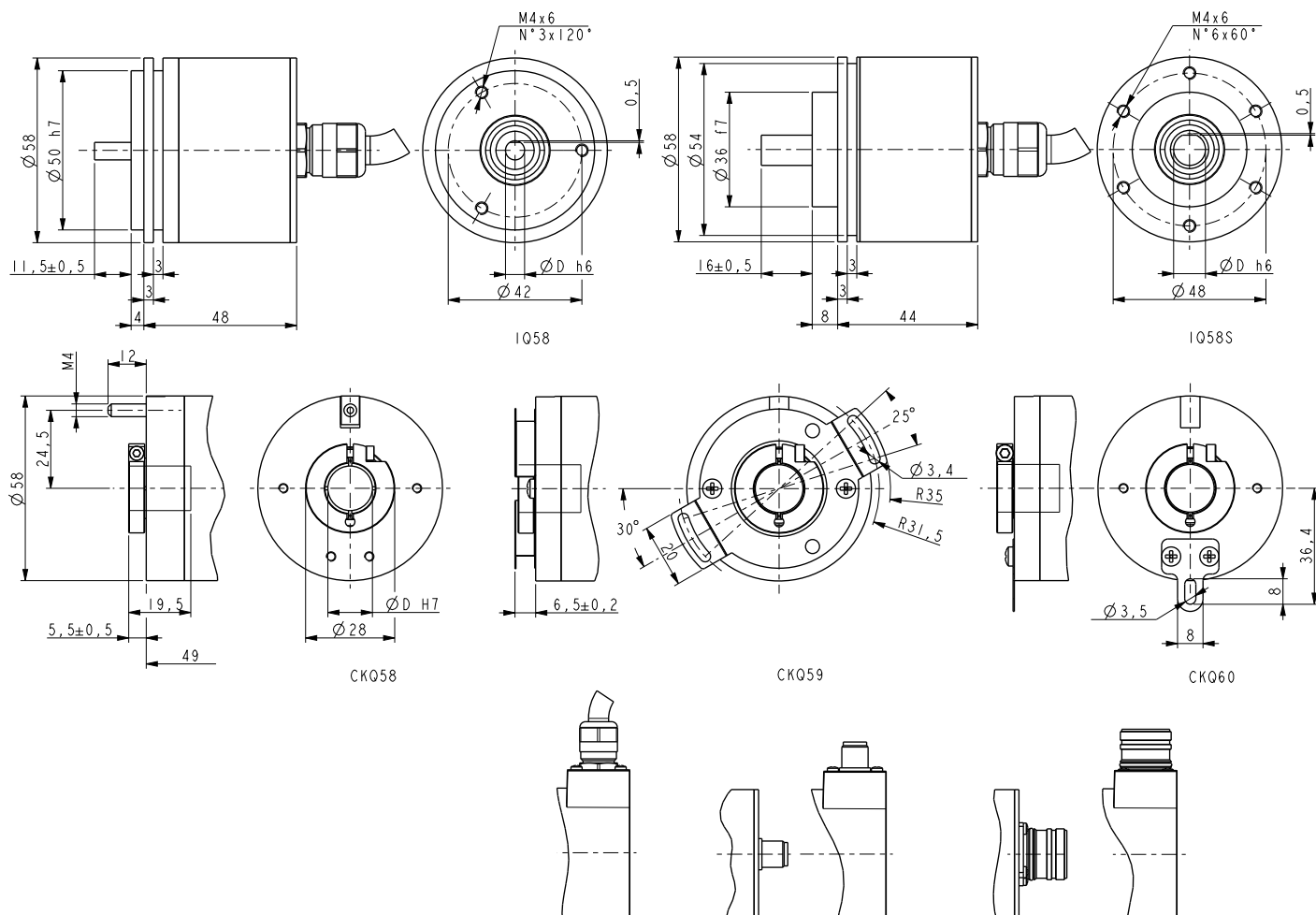
### MATERIALS

Flange:	anticorrosive, UNI EN AW-6082
Housing:	anticorrosive, UNI EN AW-6082
Bearings:	ABEC 5
Shaft:	stainless steel, non-magnetic - UNI EN 4305

### ACCESSORIES

EPFL 121:	M23 12 pin mating connector
EC-C12F-LK-I8-050:	M23 cordset with 5 m cable
EC-C12F-LK-I8-100:	M23 cordset with 10 m cable
E-M12F12:	M12 12 pin mating connector
EC-M12F12-LK-T12-050:	M12 cordset with 5 m cable*
EC-M12F12-LK-T12-100:	M12 cordset with 10 m cable*
BR1-xx:	reducing sleeves
PAN/PGF:	flexible couplings
KIT IP/IQ58:	USB programming kit
EC-IP/IQ58-M23:	M23 programming cable
EC-IP/IQ58-M12:	M12 programming cable

\*not suitable for programming



Order code

IQ58	-	XX	-	XXXXX	-	XXX	-	XX	-	X	X	-	X	XXXX	/Sxxx
IQ58S		(a)		(b)		(c)		(d)		(e)	(f)		(g)	(h)	(i)
CKQ58															
CKQ59															
CKQ60															

<p><b>(a) OUTPUT CIRCUITS / POWER SUPPLY</b> H4 = PP/LD universal circuit, +5V ÷ +30V</p> <p><b>(b) RESOLUTION (PPR)</b> OOPRG = programmable</p> <p><b>(c) OUTPUT SIGNALS / CONNECTIONS</b> ZCW = ABO /ABO, 12 wires cable output (type T12) ZCZ = ABO /ABO, M23 12 pin plug ZCM = ABO /ABO, M12 12 pin plug</p>	<p><b>(d) SHAFT DIAMETER</b> 06 = 6 mm 08 = 8 mm P9 = 9.52 mm - 3/8" 10 = 10 mm 12 = 12 mm 14 = 14 mm (only CKQ) 15 = 15 mm (only CKQ)</p> <p><b>(e) PROTECTION</b> P = IP65</p> <p><b>(f) OPERATING TEMPERATURE</b> T = -25°C +85°C (-13°F +185°F)</p>	<p><b>(g) CONNECTION POSITION</b> A = axial R = radial</p> <p><b>(h) CABLE LENGTH (only with ZCW)</b> L010 = cable output 1 m L020 = cable output 2 m (max. length)</p> <p><b>(i) CUSTOM VERSION</b></p>
---	---	--

Document release	Date	Description
1.0	September 2023	New order code