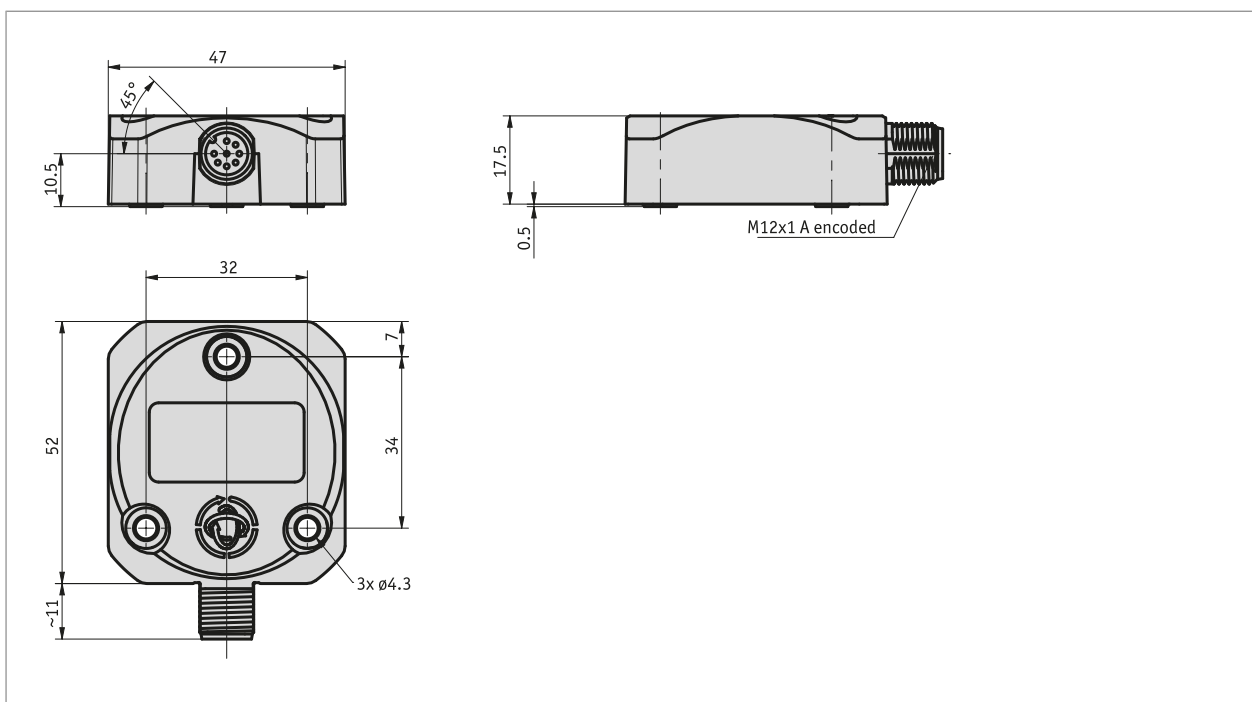


### Profile

- Single-axis or dual-axis variant
- 0 ... 10 V or 4 ... 20 mA interfaces
- CANopen interface
- IP66 and IP67 protection classes
- Easy three-point mounting



ANALOG CANopen



### Mechanical data

| Feature       | Technical data       | Additional information |
|---------------|----------------------|------------------------|
| Housing       | PBT fiber-reinforced |                        |
| Mounting type | 3-point mounting     |                        |
| Weight        | ~0.1 kg              |                        |

### Electrical data

| Feature            | Technical data                  | Additional information  |
|--------------------|---------------------------------|---|
| Operating voltage  | 10 ... 30 V DC                  | reverse polarity protection                                     |
| Power input        | $\leq 0.7$ W                    |   |
| Temperature drift  | $-0.004^\circ/\text{K}$         |   |
| Interface          | 0 ... 10 V<br>4 ... 20 mA       | load $\geq 5$ k $\Omega$<br>load $\leq 270$ $\Omega$ at 10 V DC |
| Type of connection | 1x M12-plug connector (A-coded) | 8-pole, 1x pin, E12E connection type                            |

### ■ CANopen interface

| Feature            | Technical data  | Additional information               |
|--------------------|---|--------------------------------------|
| Operating voltage  | -10 ... -30 V DC  |                                      |
| Power input        | $\leq 0.7$ W  |                                      |
| Temperature drift  | $0.004^\circ/\text{K}$  |                                      |
| Interface          | according to ISO 11898-1, not electrically isolated   | CANopen                              |
| Address            | 1 ... 127   |                                      |
| Baud rate          | 20 kbit/s<br>50 kbit/s<br>100 kbit/s<br>40 kbit/s<br>50 kbit/s<br>500 kbit/s<br>800 kbit/s<br>1000 kbit/s |                                      |
| Parameter          | according to CiA 410  | CANopen                              |
| Type of connection | 1x M12-plug connector (A-coded)   | 5-pole, 1x pin, E12E connection type |

### System data

| Feature         | Technical data  | Additional information  |
|-----------------|---|---|
| Scanning        | MEMS  |   |
| Resolution      | $0.01^\circ$  |   |
| System accuracy | $\pm 0.1^\circ$   | for 2-axis versions in working range $\pm 60^\circ$             |
| Measuring range | $0 \dots 360^\circ$<br>$\pm 80^\circ$<br>$\pm 90^\circ$ | 1 axis<br>2 axes, current and voltage output<br>2 axes, CANopen |

### Ambient conditions

| Feature              | Technical data  | Additional information   |
|----------------------|---|--|
| Ambient temperature  | $-40 \dots 85^\circ\text{C}$                                  |  |
| EMC                  | EN 61000-6-2<br>EN 61000-6-4                                  | interference resistance / immission<br>emitted interference / emission                             |
| Protection category  | IP66<br>IP67  | EN 60529, fitted with suitable mating connector<br>EN 60529, fitted with suitable mating connector |
| Shock resistance     | $\leq 100\text{g}$ , 6 ms                                     | EN 60068-2-27, half sine   |
| Vibration resistance | 1.5 mm, 10 Hz ... 58 Hz<br>$\leq 20\text{g}$ , 58 ... 2000 Hz | EN 60068-2-6<br>EN 60068-2-6   |

### pin assignment

#### ■ Analog interface

| Signal 1-axis     | Signal 2-axis     | Pin |
|-------------------|-------------------|-----|
| +UB               | +UB               | 1   |
| nc                | nc                | 2   |
| nc                | nc                | 3   |
| GND               | GND               | 4   |
| Z-axis output U/I | X-axis output U/I | 5   |
| SET1              | SET1              | 6   |
| nc                | Y-axis output U/I | 7   |
| nc                | nc                | 8   |

#### ■ CANopen

| Signal  | PIN |
|---------|-----|
| CAN_GND | 1   |
| +UB     | 2   |
| GND     | 3   |
| CAN_H   | 4   |
| CAN_L   | 5   |

### Order

#### ■ Ordering table

| Feature        | Ordering data | Spezifikation   | Additional information |
|----------------|---------------|---|------------------------|
| number of axes | A 1<br>2      | $0 \dots 360^\circ$<br>$X - 80 \dots +80^\circ, Y - 80 \dots +80^\circ$ |                        |
| Interface      | B 0/10V       | $0 \dots 10$ V voltage output   |                        |

| Feature | Ordering data | Spezifikation                         | Additional information |
|---------|---------------|---------------------------------------|------------------------|
|         | 4/20mA<br>CAN | 4 ... 20 mA current output<br>CANopen |                        |

■ Order key

IK360 -  -   
A B



**Scope of delivery:**

IK360, Fastening set



**Accessories you can find:**

|  |  |
|--|--|
| Cable extension KV05S0                 | <a href="http://www.siko-global.com">www.siko-global.com</a> |
| Cable extension KV08S3                 | <a href="http://www.siko-global.com">www.siko-global.com</a> |
| Overview Mating connector              | <a href="http://www.siko-global.com">www.siko-global.com</a> |
| Measurement display MA50               | <a href="http://www.siko-global.com">www.siko-global.com</a> |
| Mating connector, 5-pole, angle socket | Order key 83006  |
| Mating connector, 8-pole, socket       | Order key 83525  |
| Mating connector, 5-pole, socket       | Order key 84109  |