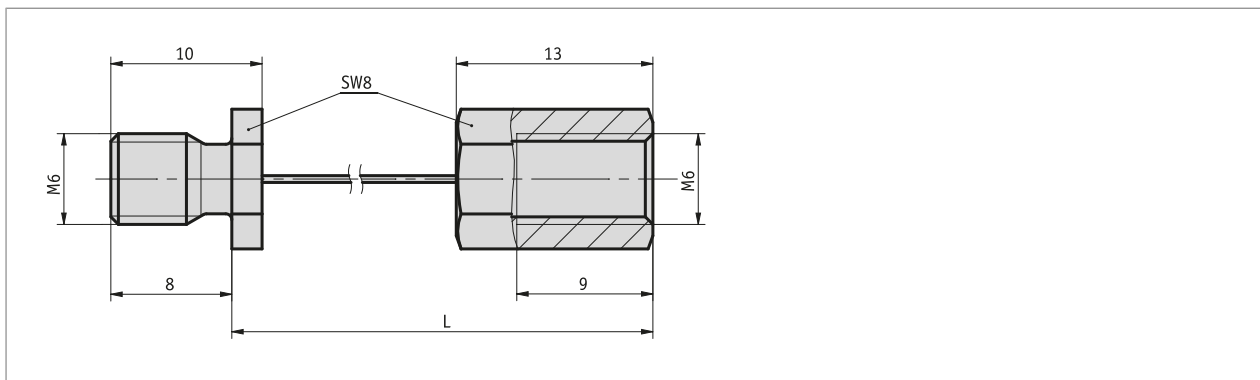
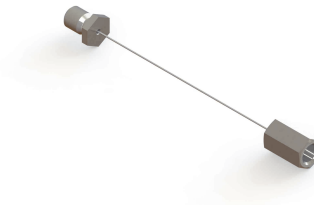


Profile

- for wire-actuated encoders in the SGH series
- for lengthening the measuring wire or the distance to the measuring object (the measuring path is not lengthened)
- Easy mounting



Mechanical data

Feature	Technical data	Additional information
Wire design	ø0.45 mm	steel cable (stainless)

Order

■ Ordering table

Feature	Ordering data	Spezifikation	Additional information
wire length	A ...	00.10 ... 10.00 m, in intervals of 0.1 m	

■ Order key

SVH -