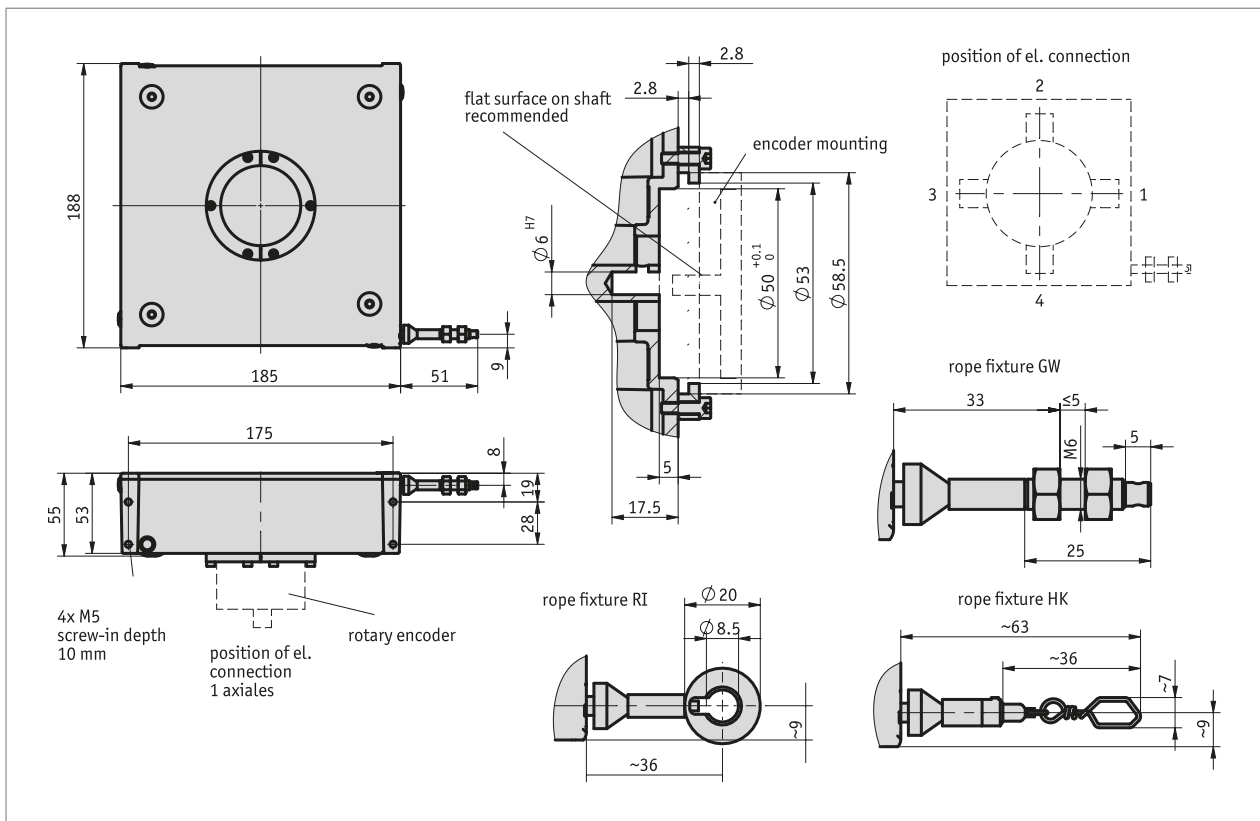
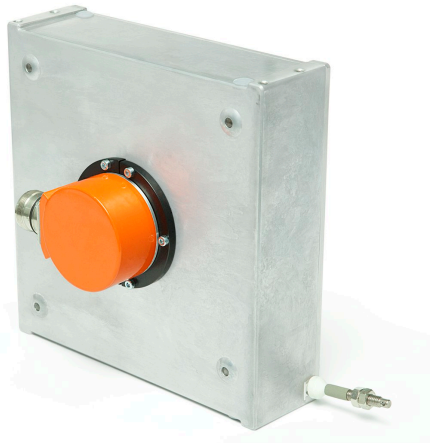


Draw-wire encoder SG150

Robust design with 15 m measuring length

Profile

- Very compact design
- Measurement lengths up to max. 15000 mm
- Flexible wire outlet thanks to Wire-Flex technology
- Wire-actuated encoder for rotary encoder with 58 mm servo-flange
- Robust design
- Very robust measuring rope (stainless steel)
- Also available as a safety version in combination with WV58MR rotary encoder



Mechanical data

Feature	Technical data	Additional information
Housing	aluminum die-cast	
Wire design	$\phi 0.87$ mm $\phi 0.81$ mm	rustproof stainless steel, plastic-coated rustproof stainless steel
Extension force	≥ 15.5 N	
Measured distance/ rope drum revolution	500 mm	
Weight	~2.5 kg	without rotary encoder

System data

Feature	Technical data	Additional information
System accuracy	±0.1 %	relating to measuring length (mm)
Repeat accuracy	±0.2 mm	per direction of approach
Travel speed	≤2.4 m/s	

Ambient conditions

Feature	Technical data	Additional information
Ambient temperature	-40 ... 80 °C	
Protection category	see rotary encoder	

Rotary encoders that can be combined with this wire-actuated encoder

You can find suitable rotary encoders on our website www.siko-global.com. They are suitable ...

- for analog outputs such as current or voltage: AV3650M, AV58M
- for incremental outputs: IV5800
- for absolute outputs: WV58MR, WV5800M, WV5850, WV3650M, WV36M/CAN

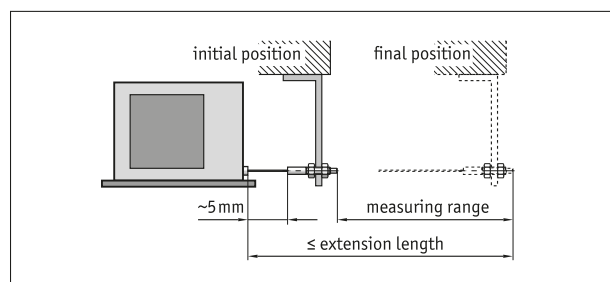
SIKO rotary encoders have the following interfaces, among others: incremental, SSI, CANopen, CANopen Safety, SAE J1939, various fieldbus protocols

The technical specifications for these devices can be found in the respective data sheets. In addition, numerous encoder variants from different manufacturers can be used.

Hint for mounting

When securing the wire it must be ensured that the wire is straight and vertical in relation to the wire outlet.

Recommendation: Only select the starting position after an unwound length of approx. 5 mm. This prevents the wire hitting the end stop when it is rewound.



Symbolic representation

Order

■ Ordering information

One or more system components are required:

Incremental encoder IV5800
 Absolute encoder AV58M
 Absolute encoder WV3650M
 Absolute encoder WV36M/CAN
 Absolute encoder WV5800M
 Absolute encoder WV5850
 Absolute encoder WV58MR

www.siko-global.com
www.siko-global.com
www.siko-global.com
www.siko-global.com
www.siko-global.com
www.siko-global.com
www.siko-global.com

■ Ordering table

Feature	Ordering data	Spezifikation	Additional information
Measuring range	A ...	10000, 15000 in mm	
wire design	B S SK	stainless steel wire steel wire, plastic coated	measuring range ≤10000 mm
encoder type	C 0G6 S6	without encoder great number of encoders possible	
position of electrical connection	D 1 2 3 4 0	direction of wire outlet or axial upward opposite the wire outlet downward without encoder	depending on the mounted encoder

■ Order key

SG150 - - - -



Scope of delivery:

SG150, User information



Accessories you can find:

Guide roller UR
Wire extension piece SV

www.siko-global.com
www.siko-global.com