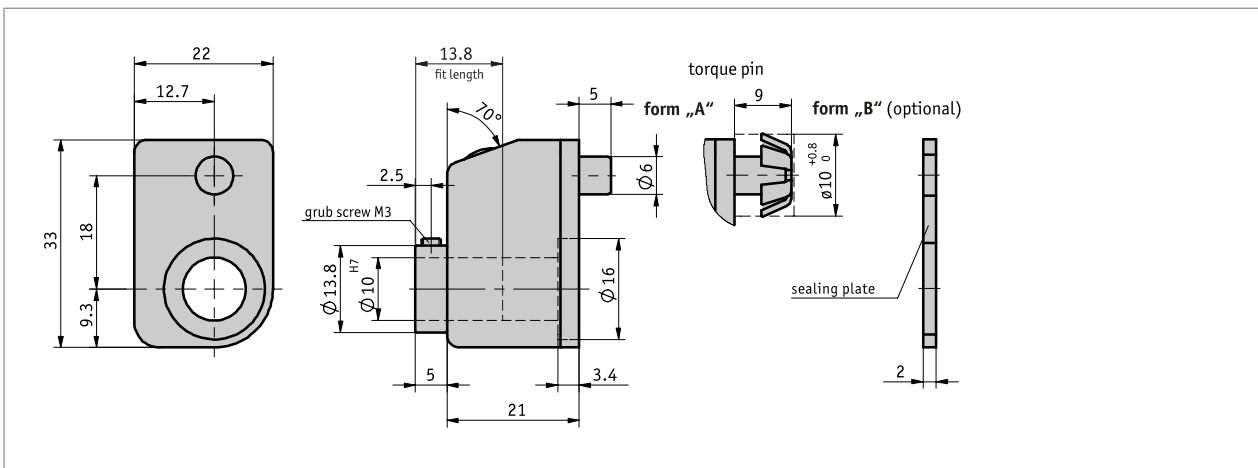


Profile

- Ultra-small design
- Hollow shaft with max. \varnothing of 10 mm
- Minimum axle base of 19 mm
- Counter can be designed for "mm" or "inch"
- Stainless-steel driving shaft as an option



Mechanical data

Feature	Technical data	Additional information
Housing	reinforced plastic	
Counter	3 Decades	
Digit height	~4 mm	
Weight	0.02 kg	

■ max. speed

Display (after 1st revolution)	max. speed [rpm]
010	500 (1500)
015	500 (1000)
020	500 (750)
025	500 (600)
030	500
040	375
050	300
060	250
080	180
100	150

Speeds >500 rpm must only be run for short periods.

Formula:

$$\text{max. speed} = \frac{15000}{\text{indication after 1st revolution}}$$

Ambient conditions

Feature	Technical data	Additional information
Ambient temperature	0 ... 80 °C	

Order

Ordering information

Display	Mounting position				Counting direction

Note: Highlights in orange are order features.

Ordering table

Feature	Ordering data	Spezifikation	Additional information
Mounting position	A 02 04 06 07		
indication after 1st revolution	B ...	7/5, 10, 12/5, 15, 17/5, 20, 25, 30, 40, 50, 60, 80, 100 others on request	/5 = arithmetical value not displayed
decimal place	C 0 1 2	0 = 000 1 = 00.0 2 = 0.00	
Counting direction	D i e	clockwise ascending values counter-clockwise ascending values	
hollow shaft/diameter	E 10 VA10 ...	ø10 mm ø10 mm RH6, RH7, RH8	stainless steel reducing bushes
Color	F 0 S	orange RAL 2004 black RAL 9005	

Order key

DA02 - - - - - - -

	Scope of delivery: DA02
	Accessories you can find: Adapter sleeve RH

www.siko-global.com