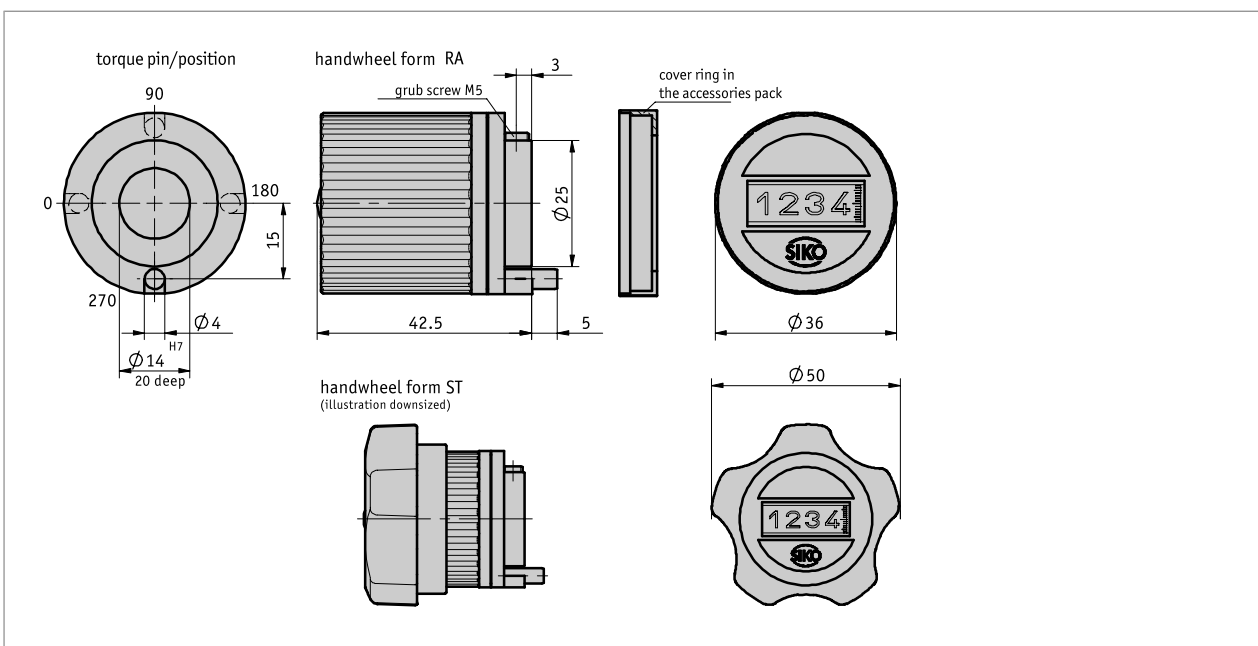


### Profile

- Control knob with integrated position indicator
- Shaft support: max.  $\varnothing$  14 mm
- Counter with 4 decades and fine reading
- Various display values
- Star wheel as an option



### Mechanical data

Feature	Technical data	Additional information
Housing	plastic	
Sight window	plastic	mineral glass as an option
Counter	4 Decades with fine reading	
Digit height	~6 mm	
Weight	0.06 kg	

### Ambient conditions

Feature	Technical data	Additional information
Ambient temperature	0 ... 80 °C	

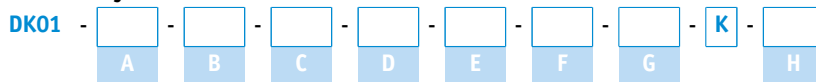
### Order

#### ■ Ordering table

Feature	Ordering data	Spezifikation	Additional information
indication after 1st revolution	A ...	12/5, 15, 17/5, 20, 25, 30, 40, 50, 100 others on request	/5 = arithmetical value not displayed

Feature	Ordering data	Spezifikation	Additional information	
decimal place	<b>B</b>	0	0 = 0000	
		1	1 = 000.0	
		2	2 = 00.00	
		3	3 = 0.000	
Counting direction	<b>C</b>	i	clockwise ascending values	
		e	counter-clockwise ascending values	
hollow shaft/diameter	<b>D</b>	14	ø14 mm	
		...	RH8, RH10, RH12	reducing bushes
			others on request	
torque pin/position	<b>E</b>	270	see drawing	
		0	see drawing	
		90	see drawing	
		180	see drawing	
handwheel form	<b>F</b>	RA	knurled handle	
		ST	star knob	
handwheel color	<b>G</b>	FR	red RAL 3000	
		S	black RAL 9005	
cover ring	<b>H</b>	0	without cover ring	
		M	cover ring supplied	

### ■ Order key



 **Scope of delivery:**  
DK01

 **Accessories you can find:**  
Adapter sleeve RH [www.siko-global.com](http://www.siko-global.com)